



STOVAX

Woodburning and Multi-fuel Stoves



**2020
WINNER**

Best Heating &
Plumbing Supplier

Homebuilding
& Renovation
Awards

From our hands to your home...

A Stovax stove is the sum of over 39 years of British design and engineering. Designed to not only provide a deep, warming heat for your home, each brings with it both character and individuality. Whether you opt for one of our traditional or contemporary designs, our obsessive attention to detail ensures our stoves are as refined on the outside as they are innovative on the inside.





Contents

Forged to Last	04
A Modern and Natural Answer	06
Designed for our Environment	08
Complete Peace of Mind	10
High Performance Heating	12
Traditional Stoves	14
Chesterfield	16
Sheraton.....	20
Huntingdon.....	24
Stockton.....	32
Contemporary Stoves	44
Vogue	46
View	62
Vision.....	64
Technical Information	76
Professional XQ™ Chimney Systems...	81
Further Information.....	84
Accessories and Stove Care	86
Warranty Information.....	88
Gas and Electric Stoves	90

Forged to Last

Our woodburning and multi-fuel stoves are innovatively designed, solidly built and meticulously tested to ensure they continue to heat your home for many years to come.





Innovation in Design

With creativity and innovation at the heart of what we do, our expert design team continues to create unique, industry leading stoves that both inspire and endure.

From the moment the first concept is sketched by hand, through to the mapping of airflow in the combustion chamber using cutting-edge software, stove design is a science we have been perfecting since 1981.

We continually invest in our research and development facilities to ensure our team is at the forefront of fire design. Our pioneering concepts and technologies make our woodburning and multi-fuel models some of the most sought after stoves available.



Quality Construction

Built with the finest quality materials, each stove is engineered here in the UK. Doors shut reassuringly to form an airtight seal, and air controls slide home both easily and responsively – year after year.

Cast iron and heavy gauge steel are used across our ranges to ensure each stove is built to the highest tolerances.

Possessing excellent thermal qualities, cast iron allows for the casting of intricate designs, making it perfect for traditional stoves. Heavy gauge steel is also an outstanding choice for stove construction, offering greater scope for design thanks to its versatile nature.



Rigorously tested

In our pioneering laboratories, each stove is put through a series of demanding tests to make sure it performs not only reliably but exceptionally.

Here our development engineers continually refine our products to exceed the toughest UK and European standards, ensuring they are some of the cleanest burning and safest stoves available.

The Stovax Heating Group itself is also subject to stringent tests and we are proud to be an ISO9001 and ISO 14001 accredited company; recognised for our continued commitment to technical innovation, high quality products and excellent customer and after-sales care.



A Modern and Natural Answer to Home Heating

Burning wood for heat has many benefits, and when burnt responsibly on a high efficiency Stovax stove it offers a natural, sustainable off-grid solution to home heating.



Wood or Multi-fuel?

All Stovax stoves are designed for high efficiency woodburning. Stoves that burn only wood have a burn chamber with a flat bed, as wood burns best on a bed of ashes.

Multi-fuel stoves burn logs but also give you the freedom to burn smokeless fuels with equally high efficiency. Their robust riddling grate can be opened or closed, allowing ash to be easily riddled into a built-in ash pan below. This allows air to flow under the fire to create the optimum conditions for burning these solid fuels.

Encouraging Sustainable Woodland

We are working with Certainly Wood, our recommended Woodsure “Ready to Burn” fuel supplier who pride themselves on making an impact on environmental targets by championing sustainability.

When you register your new Stovax stove, the Stovax Heating Group and Certainly Wood will jointly fund the planting of a tree. For more information, see page 89.

Our goal is to plant up to 10,000 new trees each year to make a tangible contribution to sustainable woodland creation.



Natural Heat

Unlike fossil fuels, wood releases approximately the same amount of carbon into the atmosphere as that absorbed during its growth, making it a virtually carbon neutral heat source.

Choosing one of our high efficiency low emission stoves is a great step towards burning responsibly. To ensure your stove provides optimum heating performance, only wood with a low moisture content should be burnt. Seasoned logs should be allowed to dry for at least two years or more to achieve a moisture content below 20%, which can be easily checked with a moisture meter. When purchasing seasoned or kiln dried wood, look for the Woodsure “Ready to Burn” certification which guarantees logs will have less than 20% moisture.

Good quality dry wood will not only provide a higher heat output than that of freshly felled timber, it will also avoid a build-up of tar in your flue and ensure low smoke emissions with clean and crisp flame visuals.



To learn more about how to burn clean, visit stovax.tv to view our instructional videos.



Designed for our Environment

When you choose to heat your home with a Stovax Cleanburn stove, you are choosing an environmentally designed product. Our high efficiency Cleanburn technology is engineered to generate the maximum amount of heat from your fuel, with minimal emissions.



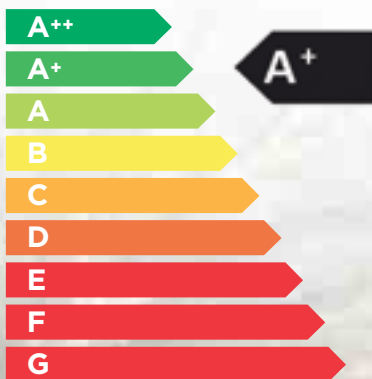


High Efficiency

All Stovax stoves have been designed to burn with high thermal efficiency, minimising the loss of heat energy during combustion.



Every model in this brochure is subject to European energy labelling standards and almost all are rated as either A or A+ energy class appliances. Energy class and efficiency information is listed on each stove's product page for easy reference.



Urban Area Approved

Most town and city homes are located in Smoke Control Areas.



To burn logs in these locations, the stove installed must be granted exemption from these restrictions by the government through DEFRA.

This exemption is given only to appliances which have been independently tested to demonstrate particularly clean burning combustion. Many stoves in this brochure are DEFRA exempt for use in Smoke Control Areas (when the appropriate smoke control kit is fitted and used in accordance with the product operating instructions) and this is shown on each product page. Your Stovax retailer can give you further help and advice.

Ecodesign Ready

Whilst many of our stoves feature Cleanburn technology for high efficiency heating in Smoke Control Areas, some models* meet, and in many cases even exceed, future Ecodesign emission and efficiency standards. Our Ecodesign products represent the next generation of low emission stoves, reducing particulates by up to 84% in comparison with old appliances.

Ecodesign aims to improve air quality and will be introduced in 2022. From then on, stove manufacturers will only be able to sell Ecodesign Ready appliances. All of our Ecodesign stoves and those of our distributed brands have been verified as meeting the stringent air quality and efficiency standards of the Ecodesign directive, and can be found displaying our Ecodesign Ready label. This helps you easily tell which products meet these forthcoming standards for ultra-low emissions.

We believe this is the future of solid fuel heating, which is why the Stovax Heating Group is proud to offer the largest range of Ecodesign Ready wood and multi-fuel stoves and fires in the UK and Ireland. Visit www.stovax.com/ecodesignready for our complete range.

*For further information on our Ecodesign Ready stoves please see page 82.

Complete Peace of Mind

Expert Retailer Network

We take great care to ensure that our stoves are designed, tested and manufactured to the highest possible quality and safety standards. It is just as important to us that they are sold and installed correctly, so that you get years of enjoyment from your purchase.

Accordingly, you will find our products are only available from experienced, independent retailers who will be happy to show you a selection of models locally in their showrooms, often burning.

These independent retailers will help you with your individual requirements, both technical (such as sizing the heat output to your room and advising on your flue type) and design, to ensure that you select the right stove for your home. They will also be able to advise on or help with the installation of your stove, as well as help provide any after-sales support and servicing your appliance may require in the future.

Whilst we encourage our retailers to promote fireplace products and their outlets via the internet, we do not believe suitable levels of customer care and satisfaction can be obtained from purchasing the product only online and we would strongly recommend that you consider this when undertaking your research and making a purchasing decision. Furthermore, please be aware that we do not offer technical support (beyond our statutory responsibilities) to products bought via nationwide online sales, where this support would normally be offered by one of our qualified, independent retailers.

You can find your nearest retailer by visiting:
www.stovax.com/retailers



Five Year Extended Warranty

When you purchase a Stovax stove from our Expert Retailer Network your retailer will provide you with a Five Year Extended Warranty for your new solid fuel stove, provided it is registered with Stovax (see page 88). Stoves purchased outside of Stovax's Expert Retailer Network will carry a standard 1 Year Warranty. Full warranty terms & conditions are available to view at www.stovax.com





WIN the cost of your product back!

by registering your product online for your free extended warranty. See page 89 for details.

High Performance Heating

The Stovax woodburning and multi-fuel stove ranges include a wide range of different styles and sizes to suit your home. Each family is designed and engineered here in Great Britain and features cutting-edge combustion systems with easy to use controls. The result is a stove that gives you stunning flames and high performance heating.





Top or rear flue pipe exit

Warm air channels between the firebox and the outer walls of the stove and back into the room for enhanced heating performance.



Baffle system ensures minimal heat is lost up the chimney

Powerful Airwash system cleans glass for a superb view of the flames.



Radiated heat warms room.

High density thermal brick lining for high efficiency heating

Integral Heat shields - lower temperatures behind the appliance for reduced distance to combustibles.

Optional External Air Facility for draught reduction (selected models)



Dedicated woodburning / Multi-fuel riddling system

Triple airflow system employs heated air jets to ignite hydrocarbons for stunning flame visuals and high efficiency clean burning (selected models)



Airtight door with large viewing window

Easy to use, responsive control system

Plinth, log store bases or stove bench styling options for elevated flames

High quality construction using the finest materials possible

Traditional Stoves

Our traditional stoves combine classic casting details with modern combustion technology. Timelessly styled, they add elegance and character to period and contemporary interiors alike.

Chesterfield	16 - 19
Sheraton	20 - 23
Huntingdon	24 - 31
Stockton	32 - 43





Chesterfield 5
woodburning
Ecodesign stove
in Stovax Grafton
Limestone mantel



SEE IT BURNING AT:
stovax.com/chesterfield

Chesterfield 5




Elegantly styled, the Chesterfield convector range combines traditional cast iron detailing with a large stove window for a stunning view. At home in a town house or country cottage, this timeless Chesterfield 5 can also create a designer statement in contemporary settings.



Chesterfield 5 woodburning Ecodesign stove



Key Facts

5kW (2.5-7kW) | 330mm | up to 80%

- Multi-fuel model (with external riddling)
- Woodburning model
- Convector Heat Flow System
- Integral Heat Shields
- Cast Iron & Heavy Gauge Steel
- Cleanburn and Airwash Systems
- DEFRA Exempt from Smoke Control areas*
- Ecodesign Ready (see page 82)
- Optional longer legs (see page 88)
- Optional dedicated external air kit
- Room vent not normally required**
- Flue outlet - 5" top or rear
- 12mm hearth compatible (see page 85)

**For more information on room vents, please see page 87
For product dimensions please see page 76 onwards

Product Codes and Options

Finish	Matt Black
Woodburner	705-332
Multi-fuel	705-562
External Air Kit (page 84)	SH-5AIR both models
172mm Long Legs	705-807 (see page 88 for image)



See pages 15 and 88 for additional images.



*Chesterfield 5 Wide woodburning stove.
Shown with ceramic wood-effect beam.*

SEE IT BURNING AT:
stovax.com/Chesterfield

Chesterfield 5 Wide

The Chesterfield 5 Wide has been designed with expansive frontal proportions and a slimline firebox, for stunning flame views and a 5kW heat output suitable for a range of homes. This impressive convector stove is a great option for rooms requiring the presence and aesthetics of a larger stove, without the depth.



Chesterfield 5 Wide multi-fuel Ecodesign stove burning logs

Key Facts



5kW (2.5-7kW)



400mm

A

up to 79%

- Multi-fuel model (with external riddling)
- Woodburning model
- Convector Heat Flow system
- Integral Heat Shields
- Cast Iron & Heavy Gauge Steel
- Cleanburn and Airwash Systems
- DEFRA Exempt from Smoke Control areas*
- Ecodesign Ready† (see page 82)
- Optional longer legs
- Optional dedicated external air kit
- Room vent not normally required**
- Flue outlet – 5” top or rear
- 12mm hearth compatible (see page 85)

† Multi-fuel version only

**For more information on room vents, please see page 87

Product Codes and Options

Finish	Matt Black
Woodburner	705-346
Multi-fuel	705-577
External Air Kit (page 84)	SH-5WIDAIR both models
172mm Long Legs	705-807



For product dimensions please see page 76 onwards

Sheraton 5

The Sheraton 5's classic but sophisticated aesthetics are designed to grace period or modern interiors alike. Visuals are prioritised by the vast stove window that grants superb views of the fire, and next generation, low emission combustion systems make these convector stoves perfect for town or country living.



Sheraton 5 multi-fuel
Ecodesign stove burning logs

Key Facts





5kW (2-7kW) | 330mm | up to 80%

- Multi-fuel model (with external riddling)
- Woodburning model
- Convector Heat Flow System
- Integral Heat Shields
- Cast Iron & Heavy Gauge Steel
- Cleanburn and Airwash Systems
- DEFRA Exempt for Smoke Control Areas
- Ecodesign Ready (see page 82)
- Optional longer legs (see page 84)
- Optional dedicated external air kit
- Room vent not normally required**
- Flue outlet - 5" top or rear
- 12mm hearth compatible (see page 85)

Product Codes and Options

Finish	Matt Black
Woodburner	SH-5W-E
Multi-fuel	SH-5M-E
External Air Kit (page 84)	SH-5AIR both models
172mm Long Legs	SHLEG170 (see page 84 for image)



**For more information on room vents, please see page 87
For product dimensions please see page 76 onwards



SEE IT BURNING AT:
stovax.com/sheraton5



Sheraton 5 Wide multi-fuel Ecodesign stove burning logs

SEE IT BURNING AT:
stovax.com/sheraton5wide

Sheraton 5 Wide

The Sheraton 5 Wide displays unparalleled flame visuals thanks to its large frontal dimensions and expansive viewing window. Yet thanks to its shallow depth, this impressive convector stove provides a nominal 5kW heat output, making it the perfect choice for standard room sizes.



Sheraton 5 Wide woodburning

Key Facts



5kW (2.5-7kW)



400mm

A

up to 79%

- Multi-fuel model (with external riddling)
- Woodburning model
- Convector Heat Flow system
- Integral Heat Shields
- Cast Iron & Heavy Gauge Steel
- Cleanburn and Airwash Systems
- DEFRA Exempt for Smoke Control Areas
- Ecodesign Ready† (see page 82)
- Optional longer legs
- Optional dedicated external air kit
- Room vent not normally required**
- Flue outlet – 5” top or rear
- 12mm hearth compatible (see page 85)

† Multi-fuel version only

**For more information on room vents, please see page 87
For product dimensions please see page 76 onwards

Product Codes and Options

Finish	Matt Black
Woodburner	SH-5WIDW
Multi-fuel	SH-5WIDM-E
External Air Kit (page 84)	SH-5WIDAIR both models
172mm Long Legs	SHLEG170





SEE IT BURNING AT:
stovax.com/huntingdon25

*Huntingdon 25 Ecodesign stove in Matt Black with Clear Door burning logs.
Also shown, Stovax Claremont mantel in Limestone.*

Huntingdon 25



It may be the smallest stove in the Huntingdon range, but the Ecodesign Ready Huntingdon 25's low emission burning performance makes it suitable for everything from a country cottage to a modern townhouse. Ideal for burning logs, yet equally proficient with smokeless fuels or peat briquettes, the compact Huntingdon 25 is just the stove to bring you a picture of comfort this winter.



Huntingdon 25 Ecodesign stove in Matt Black with Tracery Door burning logs

Key Facts



4.9kW (3-7kW)



250mm



up to 78%

- Multi-fuel model (with external riddling)
- Cast Iron Construction
- Airwash System
- Tracery or Clear Door models (Matt Black)
- DEFRA Exempt for Smoke Control Areas*
- Ecodesign Ready (see page 82)
- Flue outlet - 5" top or rear
- Room vent not normally required**
- 12mm hearth compatible (see page 85)

Product Codes and Options

Finish

Matt Black

Multi-fuel - Tracery Door 7058

Multi-fuel - Clear Door 7057

Smoke Control Kit H25SCKIT

For product dimensions please see page 76 onwards

** When fitted with a Smoke Control Kit*

***For more information on room vents, please see page 87*



*Huntingdon 30 in Matt Black with
Tracery Door burning logs.*

Huntingdon 30



The Huntingdon 30 combines refined, timeless styling with significant heating capacity. Dual air levers allow you to control the level of flames and heat output to suit your needs, providing full control over combustion. There is also an external riddling grate to aid in the efficient burning of smokeless fuels.



*Huntingdon 30 in Matt Black with Tracery Door burning logs.
Shown with Stovax Pembroke mantel in Grey.*

Key Facts



6kW (3-8kW)



300mm



up to 82%

- Multi-fuel model (with external riddling)
- Cast Iron Construction
- Airwash and Cleanburn Systems
- Tracery Door
- Concealed handles and hinges
- Flue outlet - 6" top or rear

Product Codes and Options

Finish

**Matt
Black**

Multi-fuel - Tracery Door

7055

For product dimensions please see page 76 onwards

Huntingdon 35



The clean, graceful lines of the Huntingdon 35 make this classic design look attractive even when it is not alight. This multi-fuel stove incorporates external riddling and dual air controls for accurate regulation of the flames and combustion.



Huntingdon 35 multi-fuel in Matt Black with Clear Door burning logs.

Key Facts



7kW (3.5-9kW)



350mm



up to 82%

- Multi-fuel model (with external riddling)
- Cast Iron Construction
- Airwash and Cleanburn Systems
- Tracery or Clear Door models
- Concealed handles and hinges
- Flue outlet - 6" top or rear

Product Codes and Options

Finish	Matt Black
Multi-fuel - Tracery Door	7061
Multi-fuel - Clear Door	7060

For product dimensions please see page 76 onwards



*Huntingdon 35 multi-fuel in Matt Black with Tracery Door
Shown with Stovax Victorian Corbel Limestone mantel.*



*Huntingdon 40 multi-fuel in
Matt Black with Clear Door burning logs.*

Huntingdon 40



The largest and most powerful member of the Huntingdon family, the 40 makes a magnificent addition to any larger setting - effortlessly generating 9kW of heat at a remarkable 88% efficiency. The 40's refined looks are equally at home in both traditional inglenook and modern fireplace settings.



Huntingdon 40 multi-fuel in Matt Black with Tracery Door burning logs.

Key Facts



9kW (4-11kW)



400mm



up to 88%

- Multi-fuel model (with external riddling)
- Cast Iron Construction
- Airwash and Cleanburn Systems
- Tracery or Clear Door models
- Concealed handles and hinges
- Flue outlet - 6" top or rear
- 12mm hearth compatible (see page 85)

Product Codes and Options

Finish

Matt Black

Multi-fuel - Tracery Door 7075

Multi-fuel - Clear Door 7074

For product dimensions please see page 76 onwards

Stockton 3



The compact Ecodesign Ready Stockton 3 is specifically designed to fit neatly into a standard 22"(560mm) high x 16"(405mm) wide fireplace opening with the chairbrick removed. Thanks to its small proportions, the Stockton 3 is equally suitable for houseboats, summerhouses and garden workshops.



Stockton 3 Ecodesign stove burning logs

Key Facts



4.8kW
(2-5kW)



200mm

A

up to 78.1%

- Multi-fuel model (with external riddling)
- Integral Heat Shields
- Cast Iron & Heavy Gauge Steel
- Cleanburn and Airwash Systems
- DEFRA Exempt for Smoke Control Areas*
- Ecodesign Ready (see page 82)
- Flue outlet - 5" top or rear
- Room vent not normally required**
- 12mm hearth compatible (see page 85)

Product Codes and Options

Finish	Matt Black
Multi-fuel	721-731
Smoke Control Kit	SZKIT3 all models

For product dimensions please see page 76 onwards

** When fitted with a Smoke Control Kit*

***For more information on room vents, please see page 87*



SEE IT BURNING AT:
stovax.com/stockton3

*Stockton 4 Ecodesign multi-fuel stove burning logs.
Shown with ceramic wood-effect beam.*



SEE IT BURNING AT:
stovax.com/stockton4

Stockton 4



With its slim, vertical alignment the Stockton 4 Ecodesign Ready stove is ideally suited to smaller rooms and will complement traditionally styled or contemporary interiors alike.



Stockton 4 Ecodesign woodburning stove with Stovax Malmo mantel and Highline log store.

Key Facts



5kW (2.5-7kW)



200mm

A

up to 80.2%

- Multi-fuel models (with external riddling)
- Woodburning models
- Integral Heat Shields
- Cast Iron & Heavy Gauge Steel
- Cleanburn and Airwash Systems
- DEFRA Exempt for Smoke Control Areas*
- Ecodesign Ready (see page 82)
- Flue outlet - 5" top or rear
- Room vent not normally required**

Product Codes and Options

Finish	Matt Black
Wood model	721-146
Multi-fuel model	721-744
Smoke Control Kit	SZKIT3 all models

For product dimensions please see page 76 onwards

** When fitted with a Smoke Control Kit*

***For more information on room vents, please see page 87*

Stockton 5



A great all-rounder, the Ecodesign Ready Stockton 5 is a mid-sized stove that will add personality to any room – modern or traditional. Integral heat shields make the Stockton 5 compatible with low-profile 12mm hearths as well as lowering minimum distance to combustibles to the rear for increased installation options.

Stockton 5 multi-fuel Ecodesign stove burning logs



Key Facts



5kW (2.5-7kW)



330mm

A

up to 79.2%

- Multi-fuel models (with external riddling)
- Woodburning models
- Integral Heat Shields
- Cast Iron & Heavy Gauge Steel
- Cleanburn and Airwash Systems
- DEFRA Exempt for Smoke Control Areas*
- Ecodesign Ready (see page 82)
- Flue outlet - 5" top or rear
- Room vent not normally required**
- 12mm hearth compatible (see page 85)

Product Codes and Options

Finish	Matt Black
Woodburner	721-160
Multi-fuel	721-750
Smoke Control Kit	721-805 all models

Further images shown on pages 4 and 84

For product dimensions please see page 76 onwards

* When fitted with a Smoke Control Kit.

**For more information on room vents, see page 87

Stockton 5 woodburning Ecodesign stove. Shown burning logs with Brompton mantel in White also available from Stovax.



SEE IT BURNING AT:
stovax.com/stockton5

*Stockton 5 Wide, single door
multi-fuel Ecodesign stove
burning logs. Shown with Stovax
Claremont Limestone mantel.*



SEE IT BURNING AT:
stovax.com/stockton5wide

Stockton 5 Wide



This wide format Ecodesign Ready Stockton prioritises flame visuals with its landscape burn chamber and expansive viewing window. Thanks to its shallower depth, this versatile 5kW stove suits a broad range of room sizes and fireplaces, with the impressive flame picture of a much larger model.



Stockton 5 Wide, two door multi-fuel Ecodesign stove burning logs

Key Facts



5kW (2.5-7kW)



400mm

A+

up to 80.2%

- Multi-fuel model (with external riddling)
- Cast Iron & Heavy Gauge Steel
- Single and two door models
- Cleanburn and Airwash Systems
- Ecodesign Ready (see page 82)
- DEFRA Exempt for Smoke Control Areas*
- Flue outlet - 5" top or rear
- Room vent not normally required**
- Shallow depth
- 12mm hearth compatible (see page 85)

Product Codes and Options

Finish	Matt Black
Multi-fuel - single door	721-772
Multi-fuel - two door	721-789
Smoke Control Kit	SZKIT5WID all models

For product dimensions please see page 76 onwards

** When fitted with a Smoke Control Kit.*

***For more information on room vents, please see page 87*



SEE IT BURNING AT:
stovax.com/stockton8

Stockton 8 woodburning, double door

Stockton 8



This versatile Ecodesign stove is offered in a variety configurations to change the appearance and expand functionality. Choose from single or double door models as well as a canopy option for a more traditional look.



Stockton 8 Ecodesign multi-fuel, single door.
The stove is shown burning smokeless fuel.

Key Facts



8.3kW
(4-11kW)



400mm



up to 78.4%

- Multi-fuel models (external riddling)
- Woodburning models
- Cast Iron & Heavy Gauge Steel
- Cleanburn and Airwash Systems
- Ecodesign Ready (see page 82)
- Single and Two Door models
- Flue outlet - 6" top or rear

For product dimensions please see page 76 onwards

Product Codes and Options

Finish	Matt Black
Wood - flat top, single door	721-191
Wood - flat top, two door*	721-202
Multi-fuel - flat top, single door	721-675
Multi-fuel - flat top, two door	721-681

* Two door version - UK Registered Design Application No. 3001055

Stockton 11






The Stockton 11 looks just as at home in a modern open plan house as it does in the large inglenook of a country cottage.



Stockton 11 woodburning with two doors

Key Facts

Product Codes and Options

		
11kW (7-14kW)	500mm	81%

- Woodburning models
- Optional Multi-fuel kit
- Cast Iron & Heavy Gauge Steel
- Cleanburn and Airwash Systems
- Single and Two Door models
- Flue outlet - 6" top or rear
- Clip-in Boiler option (Stockton 11 - page 77)

For product dimensions please see page 76 onwards

Stockton 11

Matt Black

Wood - flat top, single door	ST11W1
Wood - flat top, two door	ST11W2
Multi-fuel kit	MFKIT11 all standard models
Clip-in boiler	7211-2 all standard models



Stockton 11 woodburning with single door

SEE IT BURNING AT:
stovax.com/stockton11

Contemporary Stoves

Our contemporary stove collection presents captivating designs with elegant, minimalist styling. Adding a signature piece to any setting, these designer stoves feature expansive viewing windows for an uninterrupted view of the flames.

Vogue	46 - 61
View	62 - 63
Vision	64 - 73





Vogue Midi woodburning Ecodesign stove with optional Plinth base

Vogue Small



An excellent choice for smaller fireplaces or living spaces, the Vogue Small provides an ample 5kW of heat despite being the most compact model in the range. This stylish stove can be selected in multi-fuel or woodburning versions.



Vogue Small woodburning Ecodesign stove with optional Plinth base

Key Facts



5kW (2-7kW)



280mm

Wood Multi-fuel



up to 81%

- Multi-fuel model (with external riddling)
- Woodburning model
- Cast Iron & Heavy Gauge Steel
- Cleanburn and Airwash Systems
- DEFRA Exempt for Smoke Control Areas
- Ecodesign Ready[†] (see page 82)
- Integral Cast Iron Top Plate
- Optional Plinth & Midline wood store bases
- Optional dedicated external air kit
- Room vent not normally required*
- Stove bench compatible (see page 86)
- Flue outlet - 5" top or rear
- 12mm hearth compatible (see page 85)

Product Codes and Options

Finish	Matt Black
Woodburner	VG-SMWU-E
Multi-fuel	VG-SMMU-E
Plinth Base	VG-SM-BP both models
Midline Base	VG-SM-BML-E both models
External Air Kit (page 84)	SMAIR-E both models
Heat Shield (page 84)	VG-SMHSK-E both models
Wood Kit	WDKITSM
Stove Benches	See page 86

[†] Woodburning model only

For product dimensions please see page 76 onwards

*For more information on room vents, please see page 87



Vogue Small woodburning Ecodesign stove with optional Midline base

SEE IT BURNING AT:
stovax.com/voguesmall



SEE IT BURNING AT:
stovax.com/voguesmallt

Vogue Small T



This taller version of the Vogue Small offers the same compact footprint whilst providing a portrait flame view. Plinth or Midline log store bases, as well as our choice of stove benches offer further styling possibilities.



Vogue Small T multi-fuel Ecodesign stove burning logs with optional Plinth

Key Facts



WB: 4.8kW
MF: 5kW
(2-7kW)



280mm



up to 80%

- Multi-fuel model (with external riddling)
- Woodburning model
- Cast Iron & Heavy Gauge Steel
- Cleanburn and Airwash Systems
- DEFRA Exempt for Smoke Control Areas
- Ecodesign Ready (see page 82)
- Integral Cast Iron Top Plate
- Optional Plinth & Midline wood store bases
- Optional dedicated external air kit
- Room vent not normally required*
- Stove bench compatible (see page 86)
- Flue outlet - 5" top or rear
- 12mm hearth compatible (see page 85)**

Product Codes and Options

Finish	Matt Black
Woodburner	VG-SMTWU-E
Multi-fuel	VG-SMTMU-E
Plinth Base	VG-SM-BP both models
Midline Base	VG-SM-BML-E both models
External Air Kit (page 84)	SMAIR-E both models
Heat Shield (page 84)	VG-SMTHSK-E both models
Wood Kit	WDKITSM
Stove Benches	See page 86

For product dimensions please see page 76 onwards

**For more information on room vents, please see page 87*

***woodburning model only*

Vogue Midi



Offering a superb view of the flames, the versatile styling of the Vogue Midi fits perfectly into contemporary and traditional interiors alike. The range's advanced Ecodesign Ready Cleanburn combustion systems allow the Midi to reach an impressive 81% thermal efficiency whilst generating an ample 5kW of heat.



Vogue Midi multi-fuel Ecodesign stove burning logs with optional Midline wood store base

Key Facts



5kW (2.5-7kW)



330mm



up to 78%

- Multi-fuel model (with external riddling)
- Woodburning model
- Cast Iron & Heavy Gauge Steel
- Cleanburn and Airwash Systems
- DEFRA Exempt for Smoke Control Areas
- Ecodesign Ready (see page 82)
- Integral Cast Iron Top Plate
- Optional Plinth & Midline wood store bases
- Optional dedicated external air kit
- Room vent not normally required*
- Stove bench compatible (see page 86)
- Flue outlet - 5" top or rear

Product Codes and Options

Finish	Matt Black
Woodburner	VG-MIDWU-E
Multi-fuel	VG-MIDMU-E
Plinth Base	VG-MID-BP both models
Midline Base	VG-MID-BML-E both models
External Air Kit (page 84)	MIDAIR-E both models
Heat Shield (page 84)	VG-MIDHSK-E both models
Wood Kit	WDKITMID
Stove Benches	See page 86

Further images shown on pages 44 & 86

For product dimensions please see page 76 onwards

**For more information on room vents, please see page 87*



*Vogue Midi woodburning Ecodesign stove with optional Plinth base.
Shown with Stovax Claremont mantel in Limestone.*

SEE IT BURNING AT:
stovax.com/voguemidi

*Vogue Midi T
woodburning Ecodesign
stove with optional
Midline wood store base*



SEE IT BURNING AT:
stovax.com/voguemit

Vogue Midi T



With its tall burn chamber and viewing window, the Midi T provides impressive flames for eye-catching visuals. The range's next generation combustion systems ensure low smoke emissions and high efficiency burning.

Vogue Midi T multi-fuel Ecodesign stove burning logs with optional Plinth base



Key Facts



5kW (2.5-7kW)



330mm



up to 80%

- Multi-fuel model (with external riddling)
- Woodburning model
- Cast Iron & Heavy Gauge Steel
- Cleanburn and Airwash Systems
- DEFRA Exempt for Smoke Control Areas
- Ecodesign Ready (see page 82)
- Integral Cast Iron Top Plate
- Optional Plinth & Midline wood store bases
- Optional dedicated external air kit
- Room vent not normally required*
- Optional Wall Mounting Bracket (see page 54)
- Highline version available (see page 56)
- Stove bench compatible (see page 86)
- Flue outlet - 5" top or rear
- 12mm hearth compatible (see page 85)**

Product Codes and Options

Finish	Matt Black
Woodburner	VG-MIDTWU-E
Multi-fuel	VG-MIDTMU-E
Plinth Base	VG-MID-BP both models
Midline Base	VG-MID-BML-E both models
Wall Mounting Bracket (page 54)	MIDWM
External Air Kit (page 84)	MIDAIR-E both models
Heat Shield (page 84)	VG-MIDTHSK-E both models
Wood Kit	WDKITMID
Stove Benches	See page 86

Further images shown on front cover & page 79

For product dimensions please see page 76 onwards

**For more information on room vents, please see page 87*

***woodburning model only*

Vogue Midi T Wall Hung

This wall-mounted version of the Vogue Midi T adds a designer installation in any setting, and can be top or rear flued to suit. This minimalist stove features all the innovative design aspects of the Vogue range, including powerful Airwash and Ecodesign combustion systems.



Vogue Midi T multi-fuel Ecodesign stove with optional wall mounting bracket

Key Facts



5kW (2.5-7kW)



330mm



up to 80%

- Multi-fuel model (with external riddling)
- Woodburning model
- Cast Iron & Heavy Gauge Steel
- Cleanburn and Airwash Systems
- DEFRA Exempt for Smoke Control Areas
- Ecodesign Ready (see page 82)
- Integral Cast Iron Top Plate
- Optional Plinth & Midline wood store bases
- Optional dedicated external air kit
- Room vent not normally required*
- Flue outlet - 5" top or rear
- 12mm hearth compatible (see page 85)**

Product Codes and Options

Finish	Matt Black
Woodburner	VG-MIDTWU-E
Multi-fuel	VG-MIDTMU-E
Plinth Base	VG-MID-BP both models
Midline Base	VG-MID-BML-E both models
Wall Mounting Bracket	MIDWM
External Air Kit (page 84)	MIDAIR-E both models
Wood Kit	WDKITMID



For product dimensions please see page 76 onwards

*For more information on room vents, please see page 87

**woodburning model only



SEE IT BURNING AT:
stovax.com/voguemiditwall

*Vogue Midi T woodburning Ecodesign stove with optional
Plinth base and wall mounting bracket*

Vogue Midi T Highline
woodburning Ecodesign stove



SEE IT BURNING AT:
stovax.com/voguehighline

Vogue Midi T Highline

Creating an impressive centrepiece in any setting, the Vogue Midi T Highline stands on a tall, log store base, which offers easy access to logs through either the front door or open sides. This advanced stove features our Convector Heat Flow system, which increases heating performance whilst lowering minimum distances to combustibles for expanded installation versatility.



Vogue Midi T Highline multi-fuel
Ecodesign stove burning logs

Key Facts



5kW (2.5-7kW)



330mm



up to 80%

- Multi-fuel model (with external riddling)
- Woodburning model
- Convector Heat Flow System
- Integrated heat shields
- Cast Iron & Heavy Gauge Steel
- Cleanburn and Airwash Systems
- DEFRA Exempt for Smoke Control Areas
- Ecodesign Ready (see page 82)
- Integral Cast Iron Top Plate
- Optional dedicated external air kit
- Room vent not normally required*
- Flue outlet - 5" top or rear
- 12mm hearth compatible (see page 85)

*For more information on room vents, please see page 87

Product Codes and Options

Finish	Matt Black
Woodburner	VG-MIDTHLWU1-E
Multi-fuel	VG-MIDTHLMU1-E
Rear External Air Kit (page 84)	MIDAIR-E both models
Base External Air Kit (page 84)	MIDTBHSE-E both models
Wood Kit	WDKITMID



For product dimensions please see page 76 onwards



SEE IT BURNING AT:
stovax.com/voguemedium

Vogue Medium



With an expansive stove window that features the range's self-cleaning Airwash technology, the Medium's superb flame visuals provide a captivating focal point on a cold winter's eve. This large format stove is offered in woodburning and multi-fuel versions and can be installed with Plinth, Midline log store or stove bench mounting options.



Vogue Medium woodburning Ecodesign stove with optional Midline wood store base

Key Facts



WB: 7kW
MF: 7.5kW
(5-11kW)



430mm



up to 76%

- Multi-fuel model (with external riddling)
- Woodburning model
- Cast Iron & Heavy Gauge Steel
- Cleanburn and Airwash Systems
- DEFRA Exempt for Smoke Control Areas
- Ecodesign Ready (see page 82)
- Integral Cast Iron Top Plate
- Optional Plinth & Midline wood store bases
- Optional dedicated external air kit
- Stove bench compatible (see page 86)
- Flue outlet - 6" top or rear
- 12mm hearth compatible (see page 85)

Product Codes and Options

Finish	Matt Black
Woodburner	VG-MEDWU-E
Multi-fuel	VG-MEDMU-E
Plinth Base	VG-MED-BP both models
Midline Base	VG-MED-BML both models
External Air Kit (page 84)	MEDAIR-E both models
Heat Shield (page 84)	VG-MEDHSK-E both models
Wood Kit	WDKITMED
Stove Benches	See page 86

For product dimensions please see page 76 onwards

*Vogue Medium Slimline
multi-fuel Ecodesign stove
burning logs with optional
Midline wood store base.*



SEE IT BURNING AT:
stovax.com/voguemediumslimline

Vogue Medium Slimline

This wide-format stove offers the stunning flame visuals of the more powerful Medium model (page 58) whilst maintaining a 5kW heat output, thanks to its slim depth. This stylishly contemporary stove is available in either woodburning or multi-fuel versions to suit your lifestyle.



Vogue Medium Slimline woodburning

Key Facts



5kW (2.5-7kW)



400mm

A

up to 79%

- Multi-fuel model (with external riddling)
- Woodburning model
- Cast Iron & Heavy Gauge Steel
- Cleanburn and Airwash Systems
- DEFRA Exempt for Smoke Control Areas
- Ecodesign Ready† (see page 82)
- Integral Cast Iron Top Plate
- Optional Plinth & Midline wood store bases
- Shallow depth
- Optional dedicated external air kit
- Room vent not normally required*
- Stove bench compatible (see page 86)
- Flue outlet - 5" top or rear
- 12mm hearth compatible (see page 85)

Product Codes and Options

Finish	Matt Black
Woodburner	VG-MEDSLWU
Multi-fuel	VG-MEDSLMU-E
Plinth Base	VG-MEDSL-BP
Midline Base	VG-MEDSL-BML
External Air Kit (page 84)	MEDSLAIR-E both models
Heat Shield Kit (page 84)	VG-MEDHSK-E
Wood Kit	WDKITMEDSL




For product dimensions please see page 76 onwards

*For more information on room vents, please see page 87

† Multi-fuel version only



 SEE IT BURNING AT:
stovax.com/view5

View 5 woodburning on 100 high stove bench

View 5



Prioritising flame visuals with its large window, the View 5 brings clean lines and modern styling to your interior. This stylish stove is available as a standard or Midline log store version.

View 5 Midline multi-fuel burning logs.
Shown with Stovax Highline Log Store.



Key Facts



4.9kW (2.5-7kW)



330mm

A+

up to 85%

- Multi-fuel model (with external riddling) - Midline Model
- Woodburning model
- Cast Iron & Heavy Gauge Steel
- Cleanburn and Airwash Systems
- DEFRA Exempt for Smoke Control Areas
- Integral Ceramic Glass Plinth
- Optional Stainless Steel Control Handles
- Midline wood store models
- Room vent not normally required*
- Stove bench compatible (see page 86)
- Flue outlet - 5" top or rear

Product Codes and Options

Model	View 5	View 5 Midline
Finish	Matt Black	
Woodburner	VW-5W1	VW-5MIDW1
Multi-fuel (with external riddling)	-	VW-5MIDMF1
Stainless Steel Handle Set	VW-HANDLE-SS all models	
Heat Shield (page 84)	VW-5HSK all models	
Stove Benches	See page 86	

For product dimensions please see page 76 onwards

**For more information on room vents, please see page 87*

Community Design Application Number 001202600

Vision Small T



A taller version of the Vision Small, the T model offers identical heating performance but in a portrait format for an even more elegant flame picture. The optional plinth or stove benches allow for an even more prominent focal point.



Vision Small T woodburning Ecodesign stove with optional Glass Top and Glass Plinth on 120 High bench

Key Facts



WB: 4.8kW
MF: 5kW
(2-7kW)



280mm

A

up to 80%

- Multi-fuel model (with external riddling)
- Woodburning model
- Heavy Gauge Steel & Ceramic Glass
- Cleanburn and Airwash Systems
- DEFRA Exempt for Smoke Control Areas
- Ecodesign Ready (see page 82)
- Optional Ceramic Glass Top Plate
- Optional Glass Fronted Plinth
- Optional Dedicated External Air Kit
- Room vent not normally required*
- Stove bench compatible (see page 86)
- Flue outlet - 5" top or rear
- 12mm hearth compatible (see page 85)**

Product Codes and Options

Finish	Metallic Black
Woodburner	RVN-SMTW-E
Multi-fuel	RVN-SMTM-E
Plinth Base	RVN-SMPG-E both models
Ceramic Glass Top Plate (top flue exit)	RVN-SMGB both models
Ceramic Glass Top Plate (rear flue exit)	RVN-SMGBR both models
External Air Kit (page 84)	SMAIR-E both models
Heat Shield (page 84)	RVN-SMTHSK-E both models
Wood Kit	WDKITSM
5" Decorative Flue Cover	RVAC150B both models
Stove Benches	See page 86

For product dimensions please see page 76 onwards

*For more information on room vents, please see page 87

**woodburning model only

*Vision Small T
multi-fuel Ecodesign
stove burning logs with
optional Glass Top*



SEE IT BURNING AT:
stovax.com/visionsmallt



SEE IT BURNING AT:
stovax.com/visionmidi

Vision Midi multi-fuel Ecodesign stove burning logs

Vision Midi



Offering the perfect balance of form and function, this mid-sized stove lends itself to the widest spectrum of installations and features the range's signature clean, geometric form and reflective detailing. There are many optional extras to enhance your Vision, including a dedicated external air kit that allows air to be drawn from the outside and therefore minimising the potential for drafts in your room.



Vision Midi multi-fuel Ecodesign stove burning logs

Key Facts



5kW (2.5-7kW)



330mm



up to 78%

- Multi-fuel model (with external riddling)
- Heavy Gauge Steel & Ceramic Glass
- Cleanburn and Airwash Systems
- DEFRA Exempt for Smoke Control Areas
- Ecodesign Ready (see page 82)
- Optional Glass Fronted Plinth
- Optional Dedicated External Air Kit
- Room vent not normally required*
- Stove bench compatible (see page 86)
- Flue outlet - 5" top or rear
- 12mm hearth compatible (see page 85)

Product Codes and Options

Finish	Metallic Black
Multi-fuel	RVN-MIDM-E
Plinth Base	RVN-MIDPG-E
Ceramic Glass Top Plate (rear flue exit)	RVN-MIDGBR
External Air Kit (page 84)	MIDAIR-E
Heat Shield (page 84)	RVN-MIDHSK-E
Wood Kit	WDKITMID
Stove Benches	See page 86

For product dimensions please see page 76 onwards

*For more information on room vents, please see page 87



SEE IT BURNING AT:
stovax.com/visionmidit

Vision Midi T multi-fuel Ecodesign stove burning logs with Optional Glass Plinth

Vision Midi T



The Vision Midi T is designed to similar specifications as the standard Midi version, yet offers a taller burn chamber for a greatly enhanced flame viewing area. Tailor your Vision with a choice of Stovax's stylish stove benches or matching glass plinth.



Vision Midi T multi-fuel Ecodesign stove burning logs

Key Facts



5kW (2-7kW)



330mm



up to 80%

- Multi-fuel model (with external riddling)
- Heavy Gauge Steel & Ceramic Glass
- Cleanburn and Airwash Systems
- DEFRA Exempt for Smoke Control Areas
- Ecodesign Ready (see page 82)
- Optional Ceramic Glass Top Plate (Rear Flue Only)
- Optional Glass Fronted Plinth
- Optional Dedicated External Air Kit
- Room vent not normally required*
- Stove bench compatible (see page 86)
- Optional Wall Mounting Bracket (page 70)
- Flue outlet - 5" top or rear

Product Codes and Options

Finish	Metallic Black
Multi-fuel	RVN-MIDTM-E
Plinth Base	RVN-MIDPG-E both models
Ceramic Glass Top Plate (rear flue exit)	RVN-MIDGBR both models
External Air Kit (page 84)	MIDAIR-E both models
Heat Shield (page 84)	RVN-MIDTHSK-E both models
Wall Mounting Bracket (page 70)	MIDWM
Wood Kit	WDKITMID
Stove Benches	See page 86

*For product dimensions please see page 76 onwards
For more information on room vents, please see page 87

Vision Midi T Wall Hung

Perfect for settings such as kitchens or dining areas, the Vision Midi T Wall Mounted raises the flames for optimum visibility. This ultra-modern stove perfectly suits this designer installation option, adding a chic centrepiece in any setting.



Vision Midi T multi-fuel Ecodesign stove with optional Wall Mounting Bracket and Glass Plinth

Key Facts



5kW (2-7kW)



330mm



up to 80%

- Multi-fuel model (with external riddling)
- Heavy Gauge Steel & Ceramic Glass
- Cleanburn and Airwash Systems
- DEFRA Exempt for Smoke Control Areas
- Ecodesign Ready (see page 82)
- Optional Ceramic Glass Top Plate
- Optional Glass Fronted Plinth
- Optional Dedicated External Air Kit
- Room vent not normally required*
- Flue outlet - 5" top or rear

*For more information on room vents, please see page 87
For product dimensions please see page 76 onwards

Product Codes and Options

Finish	Metallic Black
Multi-fuel	RVN-MIDTM-E
Wall Mounting Bracket	MIDWM
Plinth Base	RVN-MIDPG-E both models
Ceramic Glass Top Plate (top flue exit)	RVN-MIDGB both models
Ceramic Glass Top Plate (rear flue exit)	RVN-MIDGBR both models
External Air Kit (page 84)	MIDAIR-E both models
Wood Kit	WDKITMID
5" Decorative Flue Cover	RVAC150B both models





*Vision Midi T multi-fuel Ecodesign stove
with optional Wall Mounting Bracket*

SEE IT BURNING AT:
stovax.com/visionmiditwall

Vision Medium Slimline

This wide-format stove stunning flame visuals whilst maintaining a 5kW heat output, thanks to its slim depth. This stylishly contemporary stove is available in either woodburning or multi-fuel versions to suit your lifestyle.



Key Facts



5kW (2.5-7kW)



400mm



up to 79%

- Multi-fuel model (with external riddling)
- Woodburning model
- Heavy Gauge Steel & Ceramic Glass
- Cleanburn and Airwash Systems
- DEFRA Exempt for Smoke Control Areas
- Ecodesign Ready[†] (see page 82)
- Optional Ceramic Glass Top Plate
- Optional Glass Fronted Plinth
- Optional dedicated external air kit
- Shallow depth
- Room vent not normally required^{**}
- Stove bench compatible (see page 86)
- Flue outlet - 5" top or rear
- 12mm hearth compatible (see page 85)

Product Codes and Options

Finish	Metallic Black
Woodburner	RVN-MEDSLW
Multi-fuel	RVN-MEDSLM-E
Plinth Base	RVN-MEDSLPG-E
Ceramic Glass Top Plate (top flue)	RVN-MEDSLGB both models
Ceramic Glass Top Plate (rear flue)	RVN-MEDSLGBR both models
External Air Kit (page 84)	MEDSLAIR-E both models
Heat Shield Kit (page 84)	RVN-MEDHSK-E
5" Decorative Flue Cover	RVAC150B both models



For product dimensions please see page 76 onwards

* Subject to official listing

**For more information on room vents, please see page 87

[†] Multi-fuel version only



Vision Medium Slimline woodburning on Stovax 100 High Bench

SEE IT BURNING AT:
stovax.com/visionmediumslimline



Fires at the Forefront of Contemporary Design

Alongside the stoves in this brochure, Stovax also offer signature cassette, stove and freestanding fire ranges. Providing the same high efficiency and clean burning combustion, these contemporary models redefine modern fire aesthetics.



These ranges represent the pinnacle of fire and stove design, with pure, minimalist styles that create an arresting centrepiece in any setting.

From the sublime Studio range, with its expansive landscape flame visuals, to the versatile Riva and Elise collections, these models can be selected in various sizes and heat outputs to suit your home.



To find out more about these designer fire ranges, ask your local retailer or visit www.stovax.com.

Riva 50 with 4 sided Profil frame



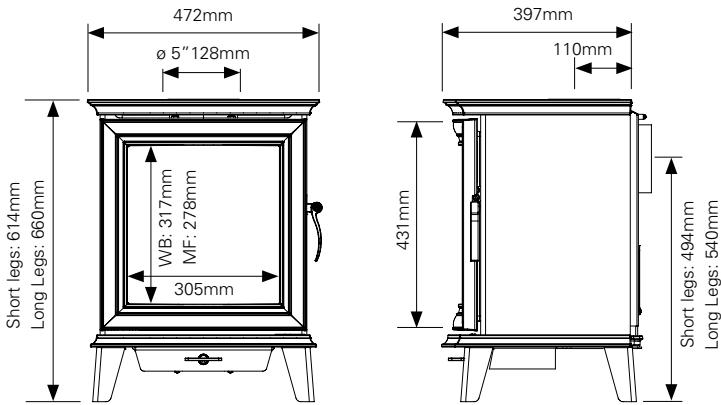
*Elise Glass 680 multi-fuel burning logs with
Four Sided Edge+ Frame*



Dimensions - Traditional Stoves

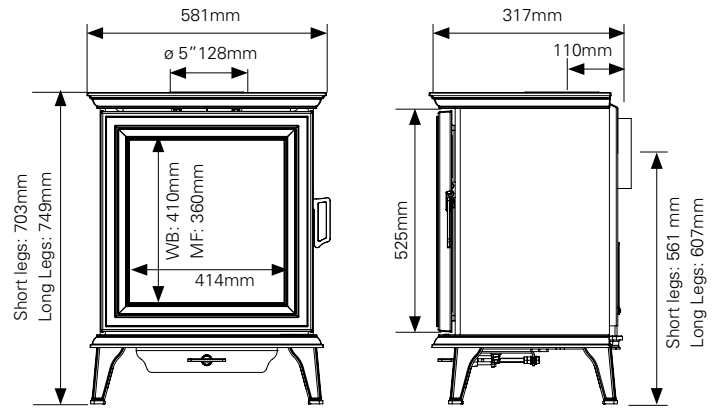
Chesterfield 5..... pages 16-17

Weight: Wood: 102kg
Multi-fuel: 105kg



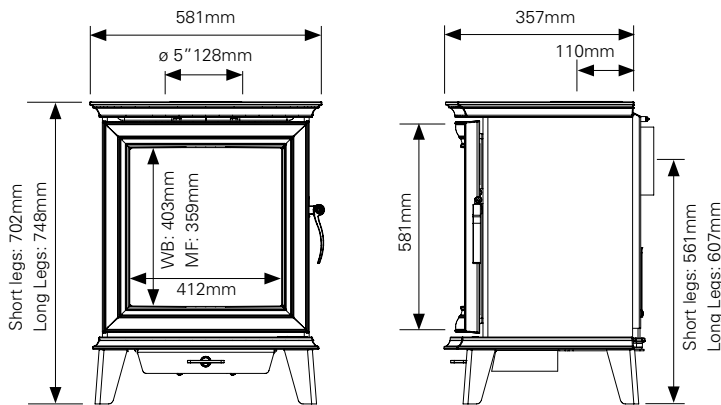
Sheraton 5 Wide..... pages 22-23

Weight: Wood: 83kg
Multi-fuel: 110kg



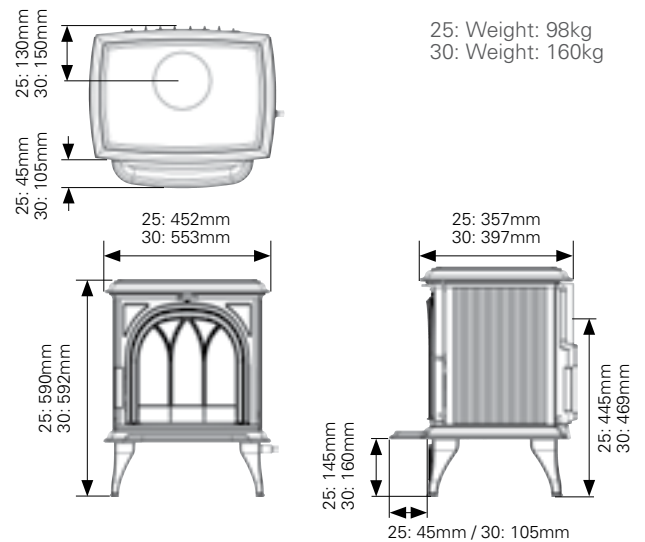
Chesterfield 5 Wide..... pages 18-19

Weight: Wood: 120kg
Multi-fuel: 124kg



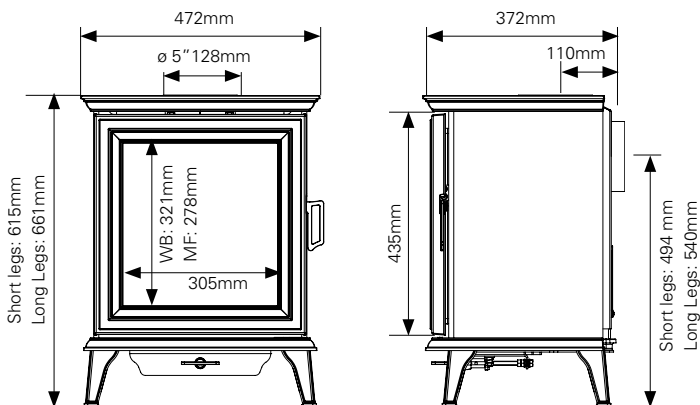
Huntingdon 25 & 30..... pages 24-27

25: Weight: 98kg
30: Weight: 160kg



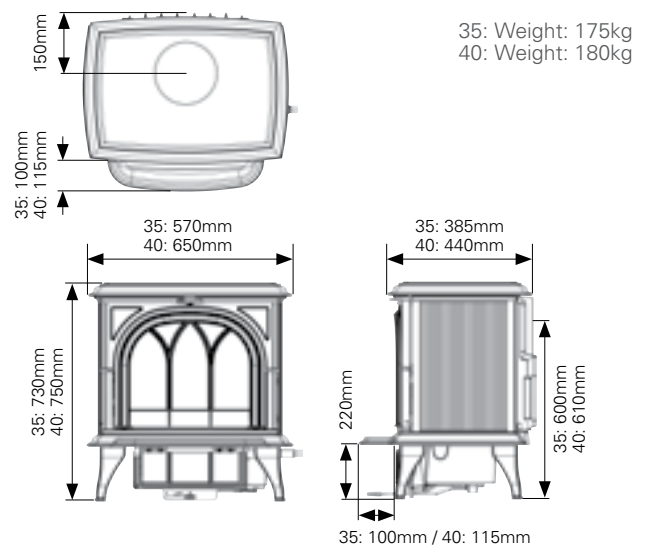
Sheraton 5..... pages 20-21

Weight: Wood: 83kg
Multi-fuel: 95kg



Huntingdon 35 & 40..... pages 28-31

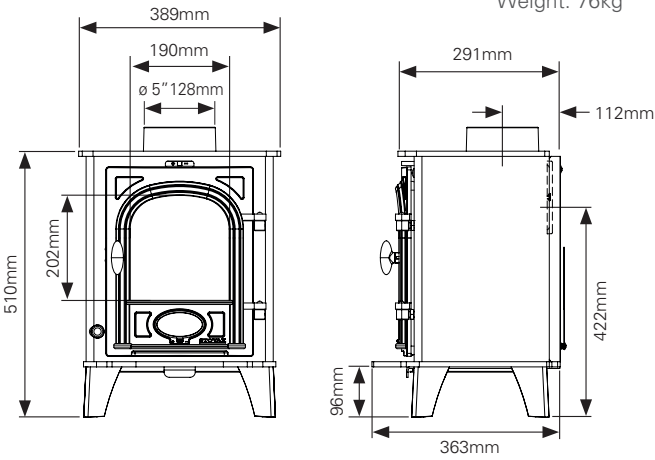
35: Weight: 175kg
40: Weight: 180kg



A HETAS approved installer should undertake a site survey prior to purchase and must install any Stovax stove. Your Stovax retailer will be able to advise on this. The above information is to assist you in your choice of a suitable Stovax stove. It is not intended to be all the information required to install your fire or stove; this can be obtained from your local Stovax retailer or you can view/download the relevant full installation instructions from the Stovax website at www.stovax.com

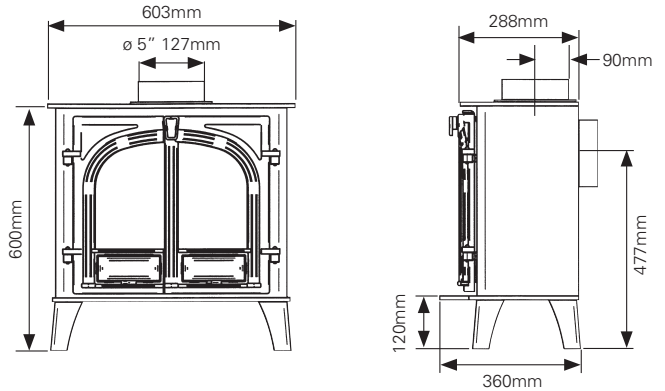
Stockton 3 pages 32-33

Weight: 76kg



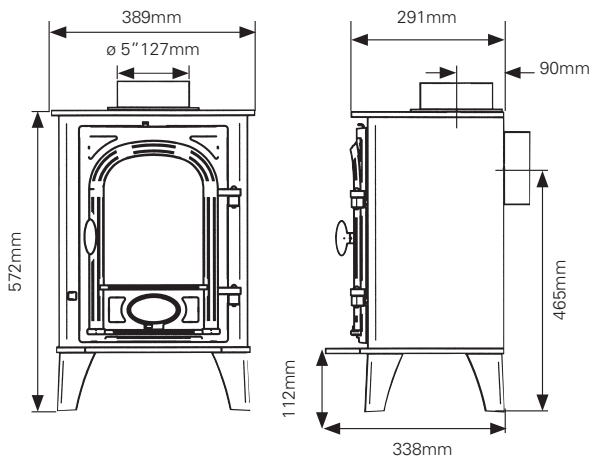
Stockton 5 Wide pages 38-39

Weight: 98kg



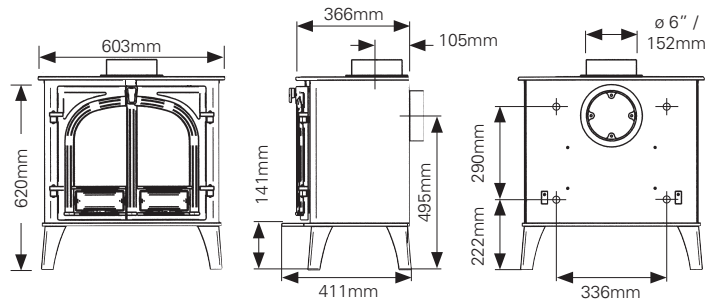
Stockton 4 pages 34-35

Weight: 83kg



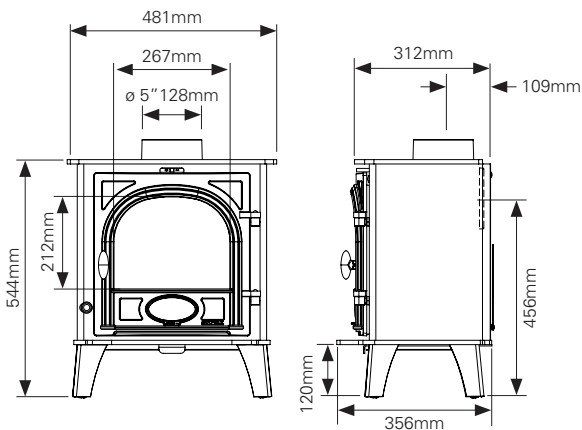
Stockton 8 pages 40-41

Weight: 120kg



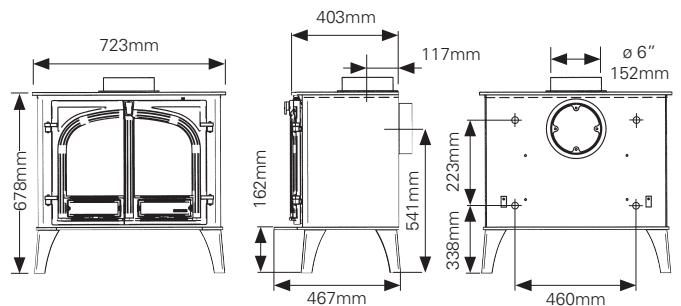
Stockton 5 pages 36-37

Weight: 83-90kg



Stockton 11 pages 42-43

Weight: 140kg

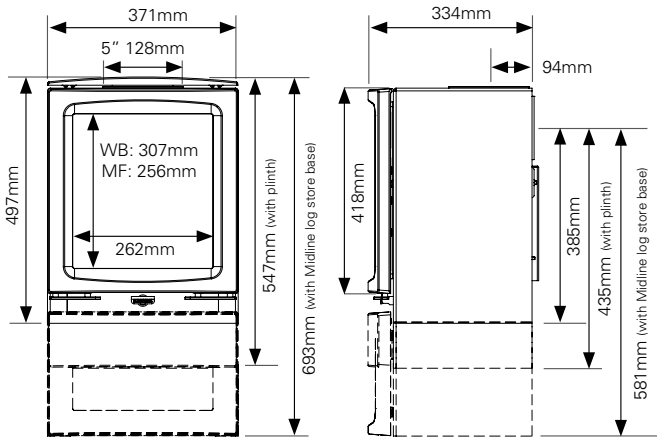


Clip-in Boiler
 Maximum heat output for single and 2 door: To boiler 7.1kW (24,000 BTU's).
 To room 3.1kW (10,500 BTU's). Total 10.2kW (34,500 BTU's)

Dimensions - Contemporary Stoves

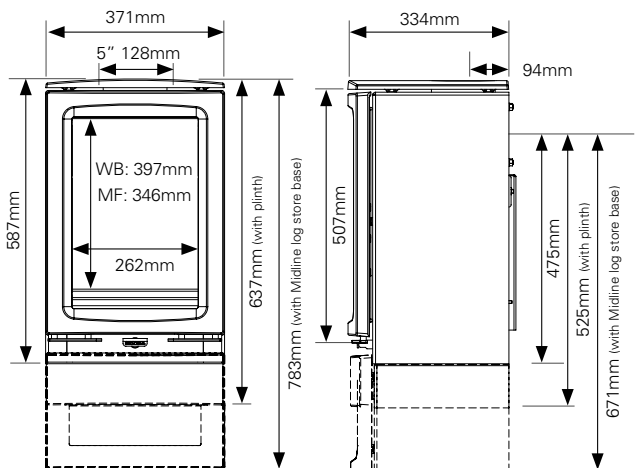
Vogue Small pages 46-47

Weight: 71kg



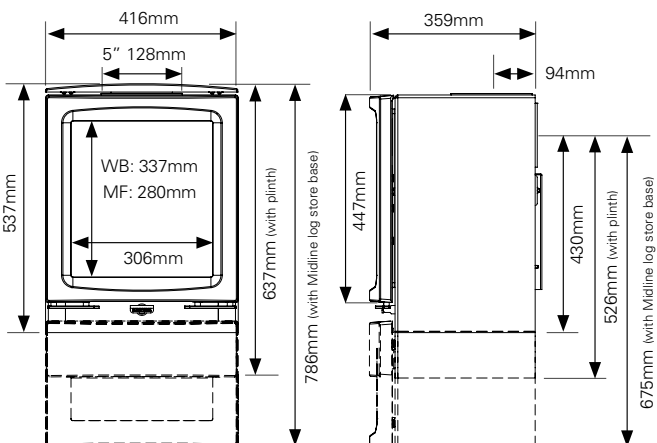
Vogue Small T pages 48-49

Weight: 74kg

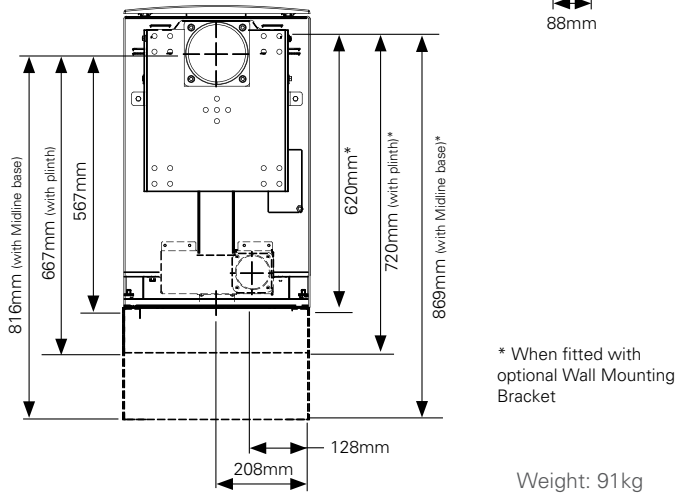
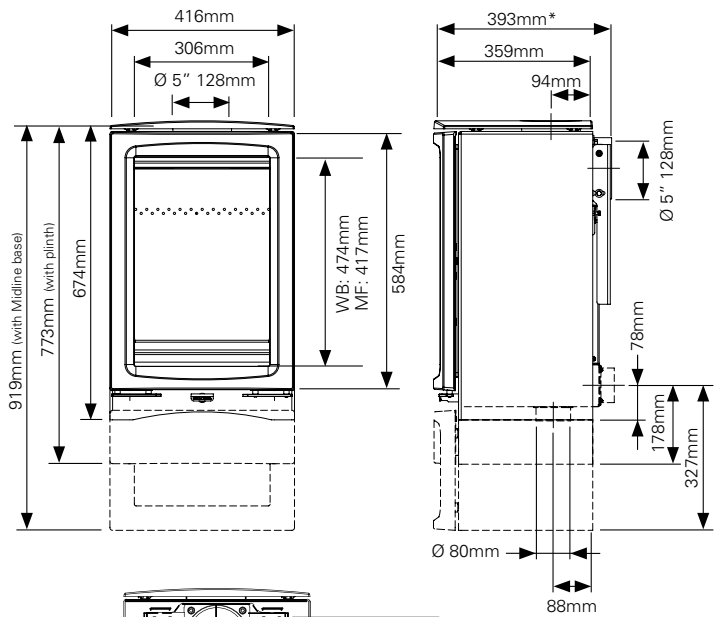


Vogue Midi pages 50-51

Weight: 80kg



Vogue Midi T & Wall Hung pages 52-55

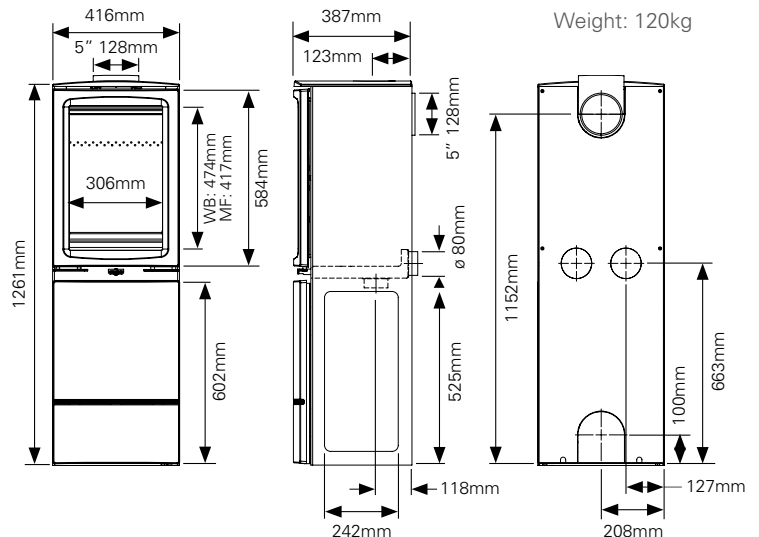


* When fitted with optional Wall Mounting Bracket

Weight: 91kg

Vogue Midi T Highline pages 56-57

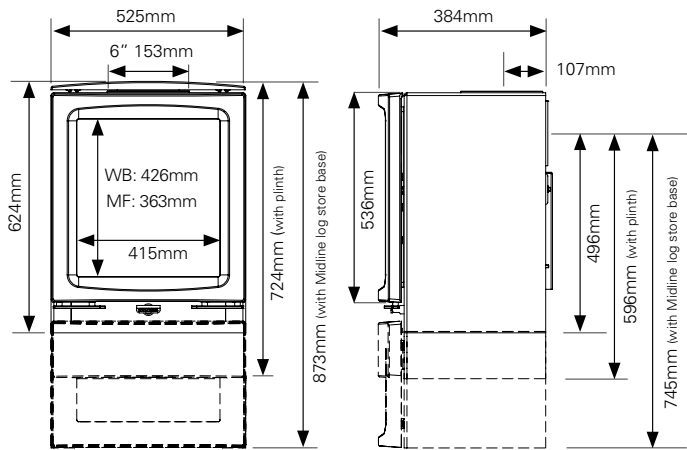
Weight: 120kg



A HETAS approved installer should undertake a site survey prior to purchase and must install any Stovax stove. Your Stovax retailer will be able to advise on this. The above information is to assist you in your choice of a suitable Stovax stove. It is not intended to be all the information required to install your fire or stove; this can be obtained from your local Stovax retailer or you can view/download the relevant full installation instructions from the Stovax website at www.stovax.com

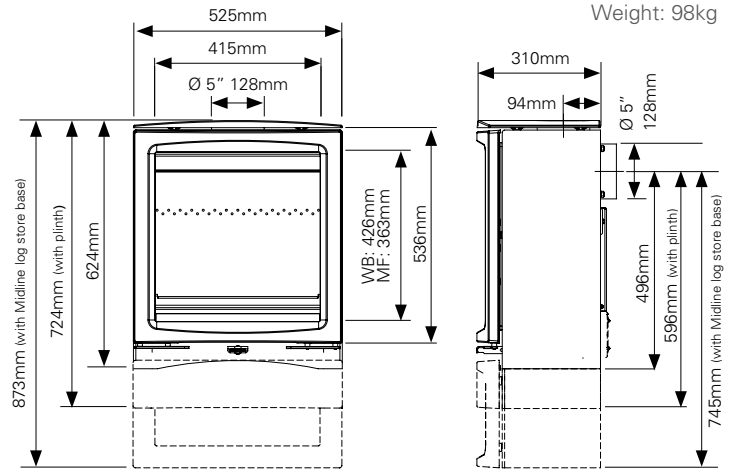
Vogue Medium..... pages 58-59

Weight: 120kg



Vogue Medium Slimline..... pages 60-61

Weight: 98kg

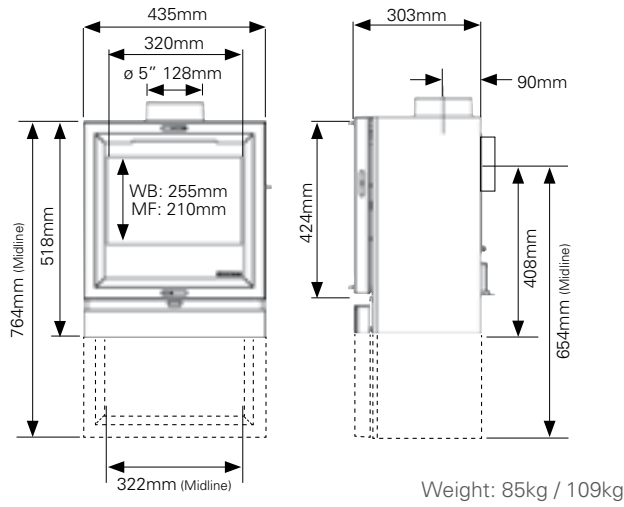


Vogue Midi T woodburning Ecodesign stove with optional Midline wood store base

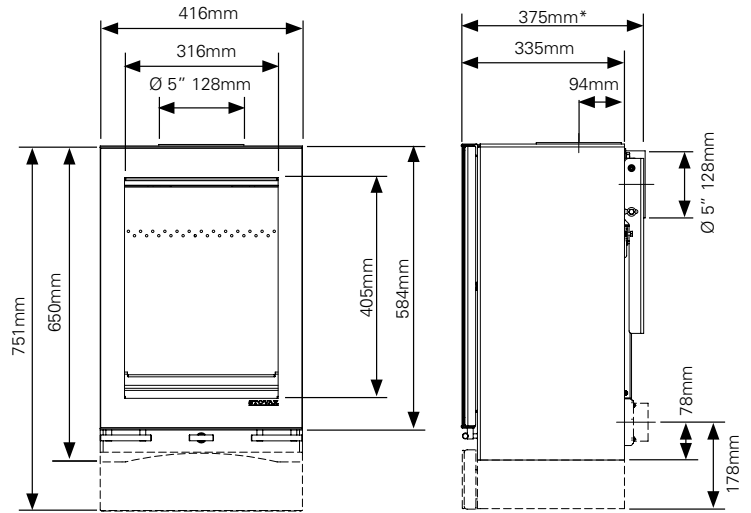
A HETAS approved installer should undertake a site survey prior to purchase and must install any Stovax stove. Your Stovax retailer will be able to advise on this. The above information is to assist you in your choice of a suitable Stovax stove. It is not intended to be all the information required to install your fire or stove; this can be obtained from your local Stovax retailer or you can view/download the relevant full installation instructions from the Stovax website at www.stovax.com

Dimensions - Contemporary Stoves

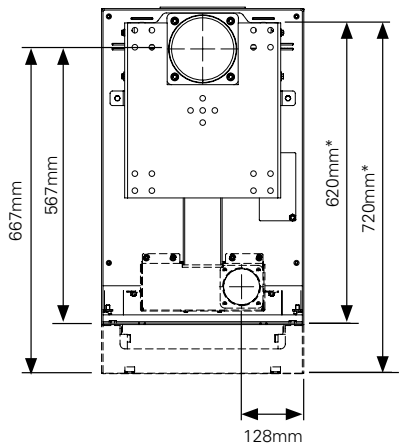
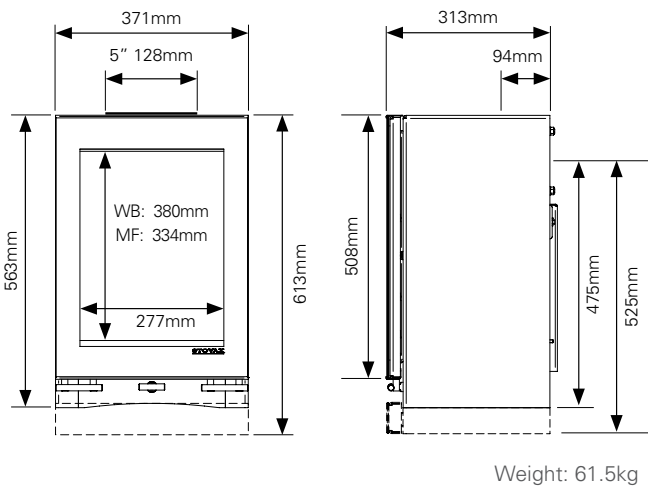
View 5 pages 62-63



Vision Midi T & Wall Hung pages 68-71



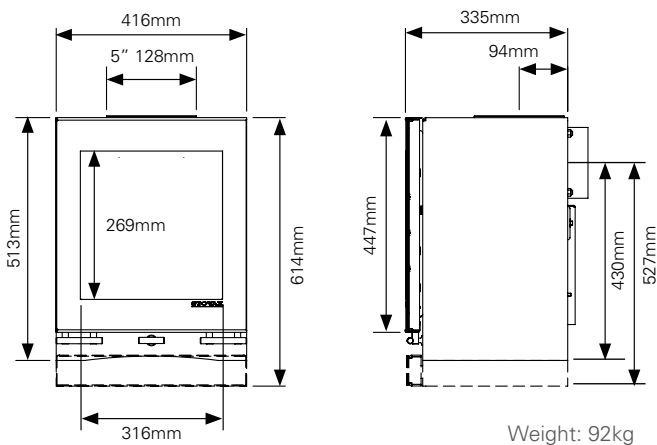
Vision Small T pages 64-65



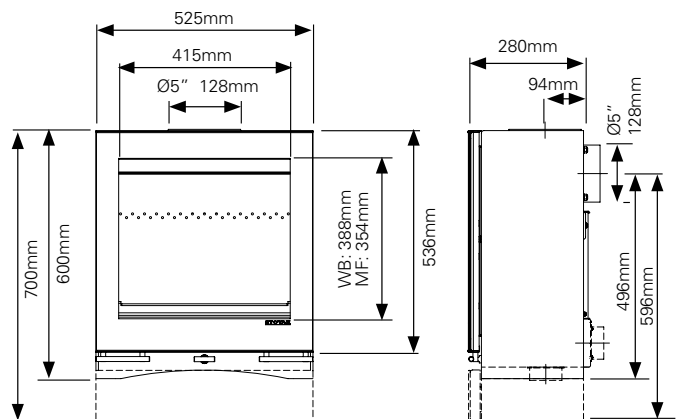
* When fitted with optional Wall Mounting Bracket

Weight: 76kg (wood)
80kg (multi-fuel)

Vision Midi pages 66-67



Vision Medium Slimline pages 72-73



Weight: 81kg (wood)
86kg (multi-fuel)

A HETAS approved installer should undertake a site survey prior to purchase and must install any Stovax stove. Your Stovax retailer will be able to advise on this. The above information is to assist you in your choice of a suitable Stovax stove. It is not intended to be all the information required to install your fire or stove; this can be obtained from your local Stovax retailer or you can view/download the relevant full installation instructions from the Stovax website at www.stovax.com

Professional XQ™ Chimney Systems

FOR HOMES
WITHOUT A
CHIMNEY!

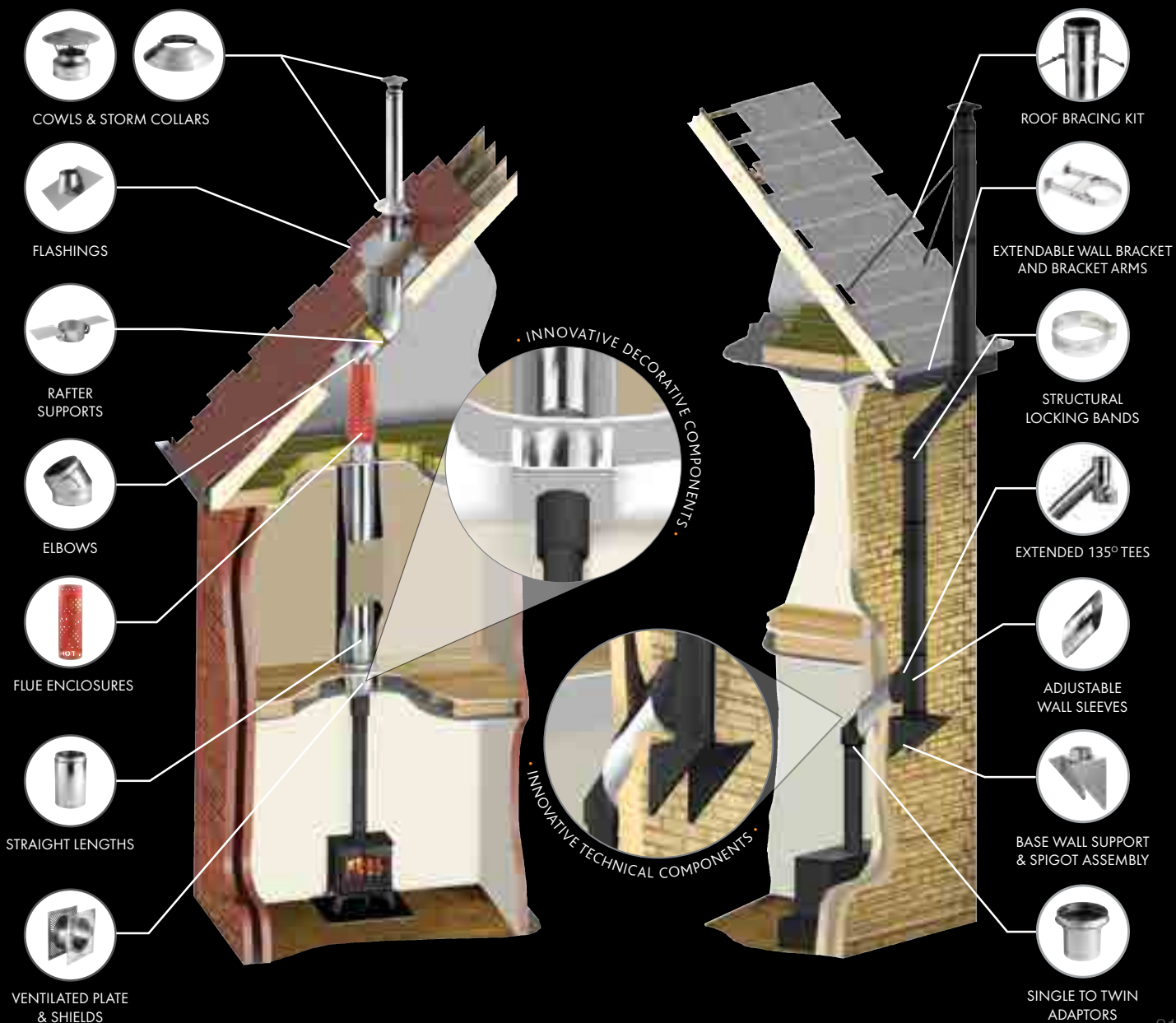
Stovax also offers a comprehensive range of stove & fireplace chimney systems, the Stovax Professional XQ™ collection. Crafted from 304L grade stainless steel for a durable outer finish, the fully sealed components offer water tight protection for the insulation within.

With innovative decorative options, the ability to specify a colour for your system and with a host of technical advancements such as their Twist-Lock system, the Professional XQ™ range provides an attractive, versatile and reliable solution for your flue system. Furthermore, the Professional XQ™ range carries a 10 year conditional warranty offering complete peace of mind.

10
YEAR
EXTENDED
WARRANTY



For further information or to request a brochure, contact your local retailer or visit www.stovax.com/chimneysystems



Exceeding Ecodesign



Designed with the very latest firebox engineering, our Ecodesign Ready woodburning and multi-fuel appliances represent the next generation of stove design. Their low emission, high efficiency combustion systems ensure that substances present in smoke emissions such as Carbon Monoxide (CO), nitrogen oxides (NOX), organic gaseous compounds (OGC) and particulates (PM) are minimised.

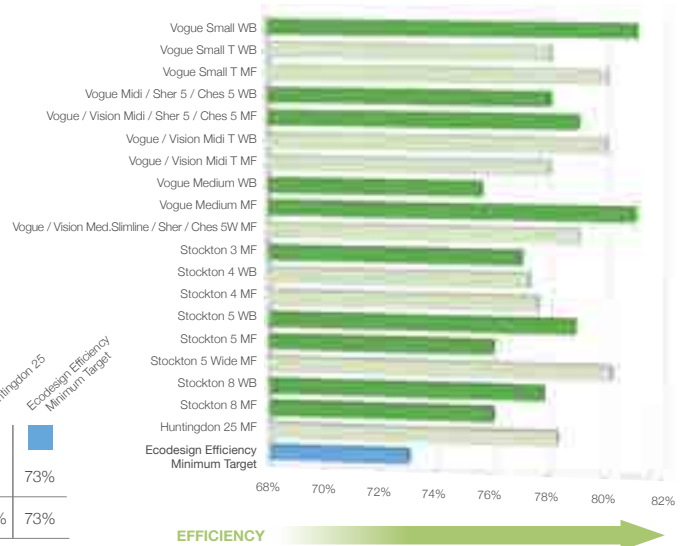
Thanks to their eco-focused design, all Ecodesign stoves easily pass Smoke Control Zone requirements making them suitable for installation in urban and rural areas alike.



Total Efficiency - %

Balancing a stove's efficiency with cleanliness of burning is a precise science, requiring expert engineering and meticulous testing. All our Ecodesign Ready stoves surpass the 2022 Ecodesign Efficiency target of 73%, resulting in a range of truly environmentally designed products.

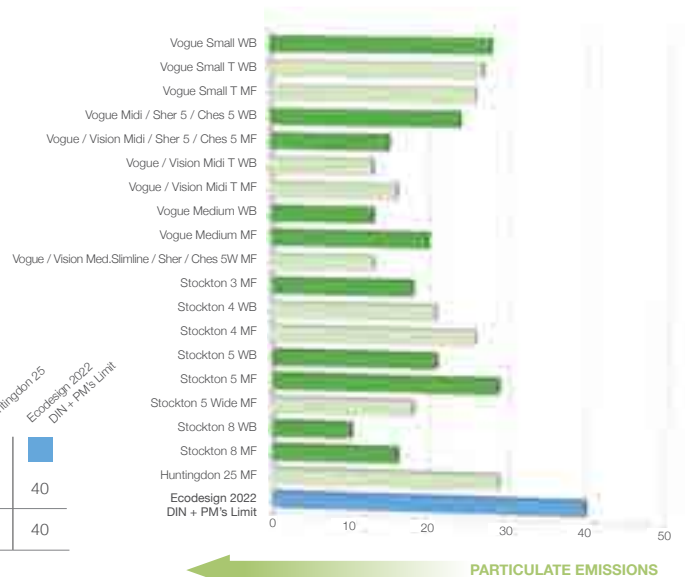
WB Model	Vogue Small	Vogue Small T	Vogue / Vision Midi / Sher 5 / Ches 5	Vogue / Vision Midi T	Vogue Medium	Vogue / Vision Med Slimline / Sher / Ches 5 W MF	Stockton 3	Stockton 4	Stockton 5	Stockton 5 Wide	Stockton 8	Huntingdon 25	Ecodesign Efficiency Minimum Target
WB Model	81%	78%	78%	80%	76%	75.6%†	-	77.3%	78.9%	-	77.8%	-	73%
MF Model*	-	80%	79%	78%	81%	79%	77.1%	77.6%	80.2%	76%	78.3%	-	73%



PM (Particulate Matter) mg/m³

Although PMs are currently measured for UK smokeless zone requirements, Ecodesign emission requirements are much tighter. Our Ecodesign stoves burn well below these future, tougher, PM targets, with some models generating almost two thirds less than the permitted PM emission amount of 40 mg/m³.

WB Model	Vogue Small	Vogue Small T	Vogue / Vision Midi / Sher 5 / Ches 5	Vogue / Vision Midi T	Vogue Medium	Vogue / Vision Med Slimline / Sher / Ches 5 W MF	Stockton 3	Stockton 4	Stockton 5	Stockton 5 Wide	Stockton 8	Huntingdon 25	Ecodesign 2022 DIN + PM's Limit
WB Model	28	27	24	13	13	19†	-	21	21	-	10	-	40
MF Model*	-	26	15	16	20	13	18	26	29	18	16	29	40



WB = Woodburning. MF = Multi-fuel

*Multi-fuel Vogue, Vision, Chesterfield & Sheraton model figures quoted burning smokeless fuel

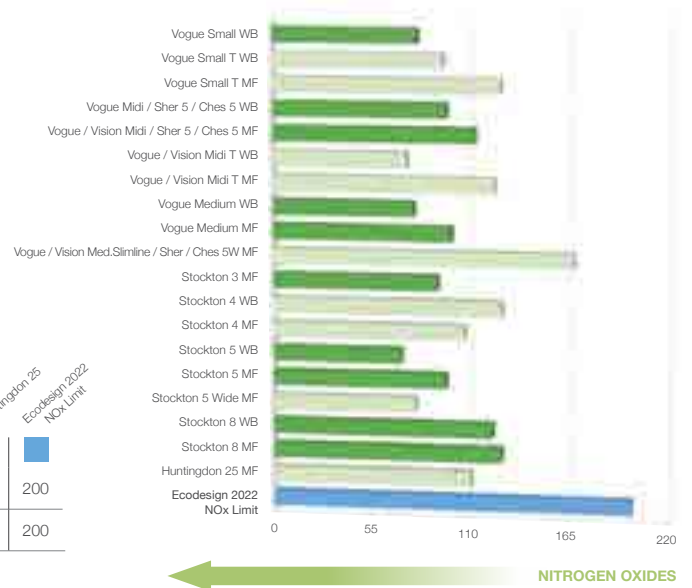
†Excludes Vision, Vogue Medium Slimline, Chesterfield 5 Wide & Sheraton 5 Wide woodburning models



NOx (Nitrogen Oxides) mg/m³

Nitrogen oxides affect air quality and are another emission requirement of Ecodesign. All Stovax Ecodesign stoves demonstrate NOx emissions that are well below the permitted amount.

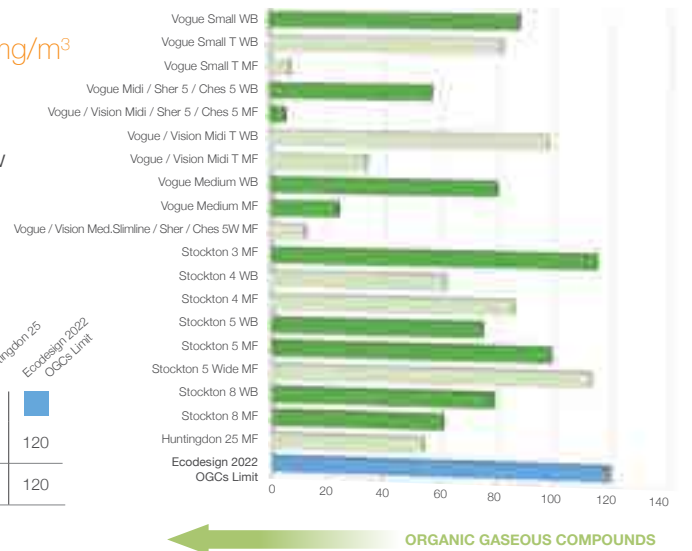
	Vogue Small	Vogue Small T	Vogue / Vision Midi / Sher 5 / Ches 5	Vogue / Vision Midi T	Vogue Medium	Vogue / Vision Med Slimline / Sher / Ches 5 W MF	Stockton 3	Stockton 4	Stockton 5	Stockton 5 Wide	Stockton 8	Huntingdon 25	Ecodesign 2022 NOx Limit
WB Model	81	95	97	75	79	82†	-	128	72	-	123	-	200
MF Model*	-	127	113	124	100	168	92	107	97	80	128	111	200



OGCs (Organic Gaseous Compounds) mg/m³

Minimising OGCs is also an important requirement of forthcoming 2022 Ecodesign standards. All Stovax Ecodesign stoves fall comfortably below this exacting emission target.

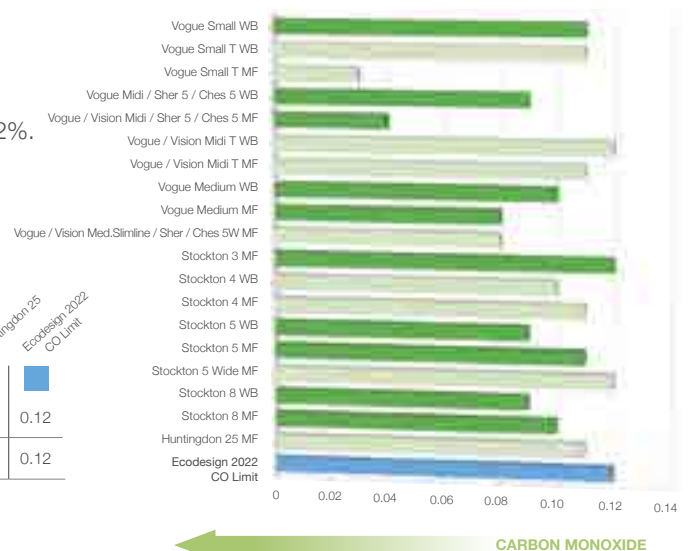
	Vogue Small	Vogue Small T	Vogue / Vision Midi / Sher 5 / Ches 5	Vogue / Vision Midi T	Vogue Medium	Vogue / Vision Med Slimline / Sher / Ches 5 W MF	Stockton 3	Stockton 4	Stockton 5	Stockton 5 Wide	Stockton 8	Huntingdon 25	Ecodesign 2022 OGCs Limit
WB Model	88	82	57	98	80	115†	-	62	75	-	79	-	120
MF Model*	-	7	5	34	24	115	86	99	113	61	54	54	120



CO (Carbon Monoxide) % @ 13% O₂

Ecodesign limits are set to dramatically reduce the current UK Carbon Monoxide emission limits by a massive 88%, from 1% @ 13% O₂ to 0.12%. All Stovax Ecodesign stoves meet this stringent forthcoming standard.

	Vogue Small	Vogue Small T	Vogue / Vision Midi / Sher 5 / Ches 5	Vogue / Vision Midi T	Vogue Medium	Vogue / Vision Med Slimline / Sher / Ches 5 W MF	Stockton 3	Stockton 4	Stockton 5	Stockton 5 Wide	Stockton 8	Huntingdon 25	Ecodesign 2022 CO Limit
WB Model	0.11	0.11	0.09	0.12	0.10	0.14†	-	0.10	0.09	-	0.09	-	0.12
MF Model*	-	0.03	0.04	0.11	0.08	0.12	0.11	0.11	0.12	0.10	0.11	0.11	0.12



WB = Woodburning. MF = Multi-fuel

*Multi-fuel Vogue, Vision, Chesterfield & Sheraton model figures quoted burning smokeless fuel

†Excludes Vision, Vogue Medium Slimline, Chesterfield 5 Wide & Sheraton 5 Wide woodburning models

Further Information

Stovax Heat Shields

Stovax offer a range of highly effective Heat Shields for the Stockton, Vogue, View and Vision stove ranges. These fantastic additions will allow a reduction in the distance to combustible materials at the rear and sides of the stoves as shown below. The Stovax Heat Shields not only maximise the available space within the room, but they also enable you to accommodate a wider range of materials in your interior design. For more information, please speak to your local Stovax retailer.

Stove	Product Code	Distance from sides	Distance from rear
View 5	VV-5HSK	300mm	200mm
View 5 Midline	VV-5HSK	300mm	200mm
Vision Small T	RVN-SMTHSK-E	350mm	100mm
Vision Midi	RVN-MIDHSK-E	400mm	100mm
Vision Midi T	RVN-MIDTHSK-E	400mm	100mm
Vision Medium Slimline	RVN-MEDHSK-E	300mm	50mm
Vogue Small	VG-SMHSK-E	350mm	100mm
Vogue Small T	VG-SMTHSK-E	350mm	100mm
Vogue Midi	VG-MIDHSK-E	400mm	100mm
Vogue Midi T	VG-MIDTHSK-E	400mm	100mm
Vogue Medium	VG-MEDHSK-E	300mm	50mm
Vogue Medium Slimline	VG-MEDHSK-E	300mm	50mm

Stoves With Integral Heat Shields

The stoves below come complete with integral heat shields for reduced distances to combustible materials.

Stove	Distance from sides	Distance from rear
Vogue Midi T Highline	350mm	75mm*
Sheraton 5	300mm	50mm*
Sheraton 5 Wide	250mm	50mm*
Stockton 3	400mm	150mm*
Stockton 4 Wood	350mm	250mm*
Stockton 4 Multi-fuel	450mm	300mm*
Stockton 5 Wood	350mm	150mm*
Stockton 5 Multi-fuel	400mm	150mm*
Chesterfield 5	300mm	50mm*
Chesterfield 5 Wide	250mm	50mm*

* To achieve this clearance a Flue Shield must be used in conjunction with Twin Wall Flue Pipe.



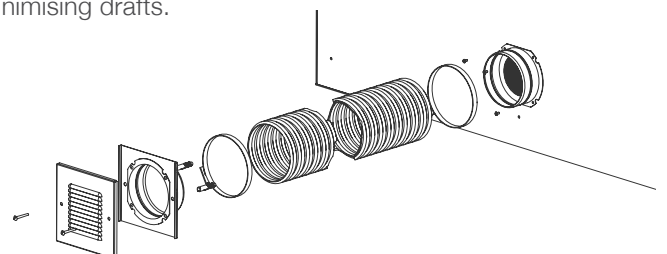
Stockton 5 woodburning Ecodesign stove with heat shield and Twin Wall flue pipe



Sheraton 5 woodburning Ecodesign stove with optional longer legs

Dedicated External Air Supply

Designed from conception to be airtight, Chesterfield, Sheraton, Vogue & Vision stoves can be optionally installed with a dedicated external air supply, meaning they do not need to draw any air from the room. This potentially negates the need for an additional air vent, therefore minimising drafts.



Enamelled Flue Pipe

Our range of high quality flue pipes offer further installation options for your stove as well as optimum heating performance. The flue pipe diameters required for each model are shown on individual product pages.



5" Diameter	
1' straight with door	4504
2' straight with door	4505
3' straight with door	4506
1' straight without door	4500
2' straight without door	4501
3' straight without door	4502
3' 7" straight without door	4545
1' 3" - 2' 1" (telescopic)	4542
3' 4" - 4' 6" (telescopic)	4540
Tee piece with end cap	4516
135° bend with door	4512
110° bend with door	4513
90° bend with door	4514
150° bend with door	4522
135° bend without door	4537
150° bend without door	4538

6" Diameter	
1' straight with door	4604
2' straight with door	4605
3' straight with door	4606
1' straight without door	4600
2' straight without door	4601
3' straight without door	4602
3' 7" straight without door	4645
1' 3" - 2' 1" (telescopic)	4642
3' 4" - 4' 6" (telescopic)	4640
Tee piece with end cap	4616
135° bend with door	4612
110° bend with door	4613
90° bend with door	4614
150° bend with door	4622
135° bend without door	4637
150° bend without door	4638

Please note: owing to different production processes, we cannot guarantee a perfect match between pipe and stove.

12mm Hearth Compatible stoves

A large number of Stovax stoves are suitable for installation with just a 12mm hearth, negating the need for a typical constructional hearth and offering a wider range of installation options.

See our complete list of 12mm hearth compatible stoves below.



- Chesterfield 5 (Eco)
- Chesterfield 5 Wide (Eco)
- Huntingdon 25 (Eco)
- Huntingdon 40
- Vision Medium Slimline (Eco)
- Vision Midi (Eco)
- Vision Small T (Eco)*
- Sheraton 5 (Eco)
- Sheraton 5 Wide (Eco)
- Stockton 3 (Eco)
- Stockton 4 (Eco)
- Stockton 5 (Eco)
- Stockton 5 Wide
- Vogue Medium Slimline (Eco)
- Vogue Medium (Eco)
- Vogue Midi T Highline (Eco)
- Vogue Midi T (Eco)*
- Vogue Midi (Eco)
- Vogue Small T (Eco)*
- Vogue Small (Eco)

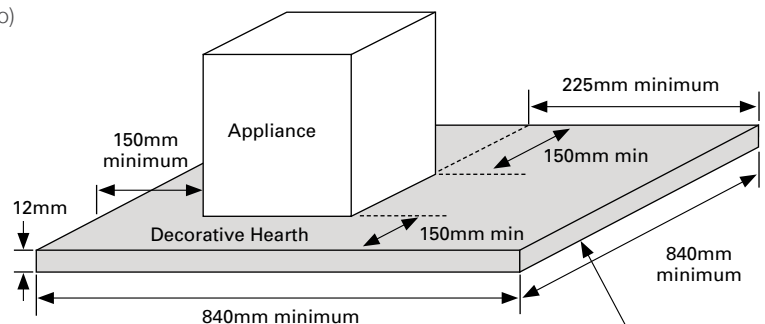


Diagram for illustrative purposes only. Please consult product instruction manuals for individual requirements.

Change in level to mark safe perimeter

*Woodburning model only

Accessories, Stove Care and Important Information

Stove Benches

These versatile steel benches are compatible with Stovax's freestanding contemporary stoves. With a variety of size options, they offer greater design possibilities to accommodate your individual styling requirements. You can even use the space beneath for log storage!^Δ

- Sturdy Steel construction
- Choice of sizes available
- Durable Matt Black finish
- Proportioned 60mm wide legs
- Allows for central or offset stove positioning

Product Code	Product	W (mm)	H (mm)	D (mm)
RVACLB45BHT	Bench 45 Low †	450	250	420
RVACB45BHT	Bench 45 High †	450	350	420
RVACLB100BHT	Bench 100 Low	1000	250	420
RVACB100BHT	Bench 100 High	1000	350	420
RVACLB120BHT	Bench 120 Low	1200	250	420
RVACB120BHT	Bench 120 High	1200	350	420
RVACLB140BHT	Bench 140 Low	1400	250	420
RVACB140BHT	Bench 140 High	1400	350	420
RVACLB180BHT	Bench 180 Low	1800	250	465
RVACB180BHT	Bench 180 High	1800	350	465
RVACLB120BHT-DP	Bench 120 Low, (Deep)	1200	250	500
RVACB120BHT-DP	Bench 120 High (Deep)	1200	350	500
RVACLB140BHT-DP	Bench 140 Low, (Deep)	1400	250	500
RVACB140BHT-DP	Bench 140 High, (Deep)	1400	350	500
RVACLB180BHT-DP	Bench 180 Low, (Deep)	1800	250	500
RVACB180BHT-DP	Bench 180 High, (Deep)	1800	350	500

† Suitable for Vision & Vogue Small, Small T, Midi & Midi T

Δ Logs are not to be stored directly beneath the stove position.



Vogue Midi woodburning Ecodesign stove on 120 High Bench





Care of your Stove

To help you get the best performance from your stove and keep it in good condition, inside and out, Stovax offers a wide range of cleaning and maintenance products. Your Stovax retailer will be able to give you full details or you may view the complete range at www.stovax.com.

Brochure Photography

All of the flame pictures shown in this brochure are taken from real fires. Please note however, that flame pictures will vary depending on the exact fuel used, flue conditions and surrounding geographical features. Given that building regulations are subject to change, some of the photography in this brochure may not comply with the requirements of the latest Building Regulations. You should always check your proposed installation arrangement with your HETAS trained installer before proceeding and observe the minimum distance to combustible materials as stated in the installation instructions.

Some of the installations in this brochure are dependant on the use of heat shields to reduce the required separation from combustible material.

Important Safety & Technical Information

We recommend that a HETAS approved installer should undertake a site survey prior to purchase and it is a requirement that any Stovax Stove should be installed by an appropriately qualified HETAS approved installer.

All fires and stoves consume air as they burn. To comply with Building Regulations (Document J) you may need to install a fixed air vent to ensure adequate ventilation. Your Stovax retailer or HETAS installer will be able to advise on this. Furthermore, by law all installations also require a Carbon Monoxide monitor (such as product code 3045 available from Stovax).

You can also download detailed installation instructions prior to purchase from www.stovax.com.

Please note that all parts of these stoves, particularly the glass panel in the door, become extremely hot during operation and can result in serious injury and burns if touched. It is therefore recommended that a fireguard complying with BS 8423:2002 is used in the presence of young children, the elderly or infirm.



Product Improvement and Warranty Information

Stovax pursue a policy of constant product improvement. Products supplied may therefore differ in specification from those illustrated or described in this brochure, and you should always check the final specification with your Stovax retailer.

Your Stovax Expert Retailer will provide you with a Two Year Warranty for your new solid fuel stove. This can then be extended to a five year warranty, provided it has been registered with Stovax. During the registration process, the

Expert Retailer details will be required for your Extended Warranty to be activated. Please note, this warranty excludes certain consumable parts and is dependant on your appliance being serviced by an appropriately qualified person 12 months after installation and annually thereafter. Stoves purchased outside of Stovax's Expert Retailer Network will carry a standard 12 month, non-extendable warranty. Full details of this warranty is set out to view on our website at www.stovax.com.



Register your stove and we'll plant a tree...

We are working with our recommended British Woodsure "Ready to Burn" fuel supplier Certainly Wood to encourage sustainable woodland creation. For every stove or fire registered for our Extended Warranty in the UK*, the Stovax Heating Group and Certainly Wood will jointly fund the planting of a tree as part of our #GreenBritain campaign. Our goal is to plant 10,000 new trees each year in Britain.

Find out more at stovax.com/GreenBritain



...and you'll get a free Fire Starter Kit

Once you have registered your product*, you will also receive a free Fire Starter Kit from Certainly Wood to help you get started with your new Stovax stove. Inside you will find high quality, Woodsure "Ready to Burn" logs, kindling, Flamers (natural firelighters) and a handy good firewood guide so you can get the best out of your Stovax stove along with a £20 money-off voucher for your first Certainly Wood fuel order.



Visit our partner online at certainlywood.co.uk for certified Woodsure Ready to Burn firewood.

*Mainland UK registrations only

WIN

the cost of your product back!*

For further home inspiration you can **view real life installations** at our Customer Showcase page and share your thoughts and photos of your new stove or fire installation to enter our draw!

- We will publish your entry on our Customer Showcase
- You will be entered into a draw for the chance to win the cost of your product back
- **Gain a second entry** by registering your product online for your free extended warranty at stovax.com/registration

View real life installations and submit your review at stovax.com/customershowcase

* Terms and conditions apply. See online for details



"We wanted a stove to give a cosy feel to the room"



"Amazing, beats all our expectations"

Have you considered gas and electric?

Many of the stoves in this brochure are also available in gas and electric versions. Offering all the ambience of a woodburning model, these innovative stoves provide superb flame visuals at the touch of a button.



Our gas and electric division, Gazco, design and build stoves that look and feel every bit as solid and authentic as our solid fuel stoves. This is because they are built with the same high quality materials and craftsmanship.

On the inside, cutting-edge technologies allow these advanced stoves to create captivating flame visuals, complemented by hand-painted fuel effects for breath-taking realism. And with various handset options, each model can be easily controlled from the comfort of the sofa.

For more details, ask your local retailer or visit www.gazco.com to view the complete range.







Stovax gratefully acknowledges the assistance of the following companies with photographic settings:

www.johnlewis.com; www.originalstyle.com; www.debenhams.co.uk; www.furniturevillage.com; www.habitat.co.uk; www.amtico.com;
www.lpdfurniture.co.uk; www.sofarooms.co.uk; www.nkuku.com; www.tomraffield.com; www.industville.co.uk; www.graceandgloryhome.co.uk; www.loaf.com;
www.houseoffraser.co.uk; www.theorangetree.co.uk; www.mokodirect.com; www.amoslighting.co.uk; www.opiesuk.co.uk; www.graceandgloryhome.co.uk;
www.oliverbonas.com; www.desenio.com; www.chunkymonkeyfurniture.co.uk; www.wallsandfloors.com

 **STOVAX**



Stovax Ltd Falcon Road, Sowton Industrial Estate, Exeter, Devon, England EX2 7LF

Trade sales: 01392 474000 Export sales: 00 44 1392 261990

Other depts: 01392 474011

Email: info@stovax.com

stovax.com



You can find your nearest retailer by visiting:
stovax.com/retailers

Your Stovax retailer:

£4.00

