







Living Cube in Phantom Grey

“ Choose Lotus. Choose Quality.”

Every aspect of our stoves and fires is designed with quality in mind.

Quality speaks its own language and has its own style. You know it instinctively; you can see it, hear it and feel it.

State-of-the-art combustion systems ensure exceptionally clean and efficient woodburning. Thick ceramic glass provides a breathtaking view of the magnificent flame visuals. Doors shut home with both a reassuring feel and sound, and heavy, cold-rolled steel ensures you can trust your fire to heat your home in even the coldest of winters.

Our stoves and fires are designed to last, which is why they are painstakingly engineered and timelessly styled. Not just to create a beautiful focal point, but to become the warming heart of your home.



Cover Image: Jubilee 10 with legs (Base)

THE LOTUS RANGE

Jubilee	08
Liva	14
Mira	16
Prestige Steel.....	18
Prestige Stone	20
Living.....	22
Insert Fireplaces	28
H370	30
H470	32
H470W	34
H570, H570W & H570T	36
H700	38
Style	40



SYMBOL KEY



Nominal Heat Output



Heat Output Range



Efficiency



Energy Efficiency Class



WIN the cost of your product back!

by registering your product online for your free extended warranty. See page 46 for details.

“Complete Peace of Mind...”

TEN YEAR EXTENDED WARRANTY

Your Lotus Expert Retailer will provide you with a Two Year Warranty for your new woodburning stove or fire. This can then be extended to a Ten Year Warranty provided your stove or fire is registered with Lotus. Please see page 46 for details.



EXPERT RETAILER NETWORK

We take great care to ensure that our stoves and fireplaces are designed, tested and manufactured to the highest possible quality and safety standards. We are just as concerned to make certain that they are sold and installed correctly so that you enjoy years of pleasure from your purchase.

You will find our products are only available from experienced, independent retailers who will be happy to show you a selection of models locally in their showrooms, often fully operational. These independent retailers will discuss your individual requirements both technical (such as sizing the heat output to your room and advising on your chimney system) and design, and ensure that you select the most appropriate product for your home. They will also be able to advise on or assist with the installation process as well as help provide any after-sales support and servicing of your appliance that you may require in the future.

Whilst we encourage our retailers to promote fireplace products and their outlets via the internet, we do not believe suitable levels of customer care and satisfaction can be obtained from nationwide online sales and we would strongly recommend that you consider this when undertaking your research and making a purchasing decision. Further, please be aware that we do not offer technical support (beyond our statutory responsibilities) to products bought via nationwide online sales, where this support would normally be offered by one of our qualified, independent retailers.

Furthermore, Lotus stoves and fires purchased from within our Expert Retailer Network will have the additional benefit of a greatly extended warranty period, subject to terms and conditions. Full details can be found at www.lotusfires.com.

FIND YOUR EXPERT RETAILER

You can find your nearest retailer by visiting:
www.lotusfires.com/retailers



A DANISH ARCHITECT WITH A FLAIR FOR DESIGNING WOODBURNING STOVES.

Since 2001, Lotus has worked closely with architect and cabinetmaker Karl Sølvsten. His love for craftsmanship and materials as well as simple, stylish mode of expression has characterised the design aspect of the company - in close collaboration with our engineers and manufacturers.

Influenced by his experience in traditional Danish craftsmanship as well as his training in architecture at the School of Arts and Crafts and the School of Architecture at the Danish Academy of Fine Arts in Copenhagen, Karl's work has received numerous awards and he has gained recognition as one of the country's pre-eminent architects.

Like us, Karl believes that quality is inextricably linked to the union of functionality, technology and design. He takes a holistic approach to his work, thinking in terms of the whole rather than a series of fragments put together. This shines through the Lotus design process, which endeavours to take all conditions and needs into account to create a product far greater than the sum of its parts.



“Environmentally Designed”

When you choose a Lotus stove or fire, you are making an environmentally friendly choice for you and your family. All Lotus products are designed for woodburning only. Wood is an environmentally friendly fuel; when burnt, the carbon dioxide released into the atmosphere is approximately the same as that absorbed by the tree during growth. Wood is also a renewable resource, particularly when derived from plantations and cultivated woodland.

For optimum results, we recommend logs should be seasoned for two years or more to achieve a moisture content below 20%. This will not only give twice the heat output to that of freshly felled timber but will also help to avoid a build-up of tar in your flue. Furthermore, if you can obtain hardwood logs this is better still, as they will have a greatly increased calorific value compared to softwoods.

ENCOURAGING SUSTAINABLE WOODLAND

We are working with Certainly Wood, our recommended Woodsure “Ready to Burn” fuel supplier who pride themselves on making an impact on environmental targets by championing sustainability.

When you register your new Lotus stove, the Stovax Heating Group (Lotus’s Distributors in the UK and Republic of Ireland) and Certainly Wood will jointly fund the planting of a tree. For more information, see page 46.

Our goal is to plant up to 10,000 new trees each year to make a tangible contribution to sustainable woodland creation.



ECODESIGN STOVES

Lotus stoves and fires represent the pinnacle of combustion technology, burning wood with high efficiency and stunning flame visuals. Our products burn so cleanly they meet future Ecodesign air quality standards, set to be introduced in 2022.



These stoves and fires feature ultra-clean, high efficiency combustion systems to ensure substances present in smoke emissions such as Carbon Monoxide (CO), nitrogen oxides (NOX), organic gaseous compounds (OGC) and particulates (PM) are minimised when burnt correctly with good quality wood, offering a modern and environmentally friendly heating solution.

APPROVED FOR URBAN AREAS

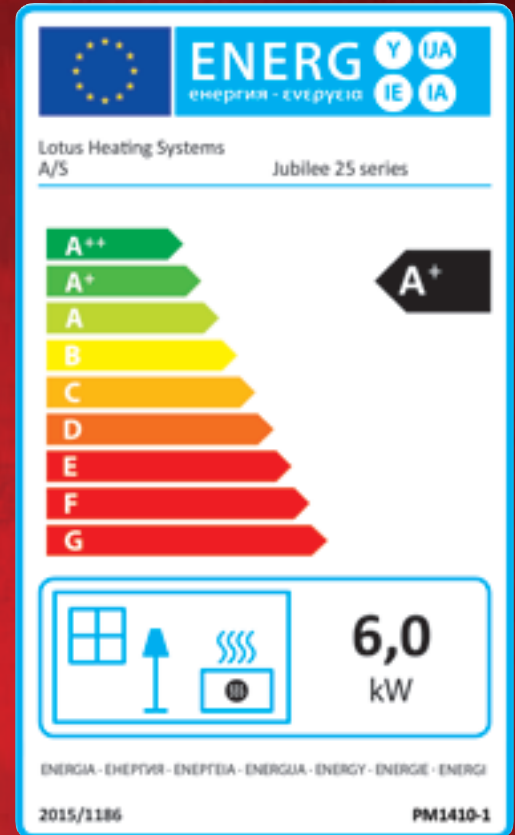
Selected Lotus stoves and fires are approved for use in Smoke Control Areas. Most town and city homes in the UK are located in Smoke Control Areas as designated by the Clean Air Act. To burn logs in these locations, the model installed must have been granted exemption from the regulations by the government through DEFRA.



This exemption is given only to appliances that have been independently tested to demonstrate particularly clean burning combustion. Your Lotus retailer will be able to give you further help and advice when choosing your stove or fire.

ENERGY EFFICIENCY

Lotus stoves and fires burn with high thermal efficiency. All models in the range are subject to European energy labelling standards and are rated as either A or A+ energy class appliances. For individual energy classes, see product pages.

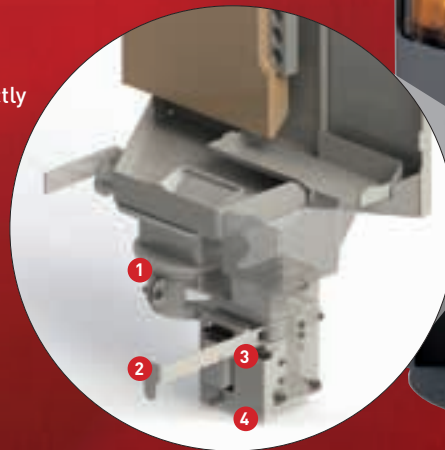


LOTUS COMFORT ECO BOOST

The innovative Comfort Eco Boost feature makes lighting a Lotus stove easier and more efficient, and is an optional extra available on the Liva and Mira models. When activated, a boost of air is supplied to the stove's firebox, speeding up the initial ignition as well as ensuring that newly added logs take even less time to catch fire. Featuring an integrated timer, the Comfort Eco Boost automatically closes the air supply after the pre-set period of time has passed for efficient, eco burning – letting you relax after refuelling your Lotus stove.



- 1 Air is pulled through the vent below the stove and fed directly into the firebox through the Comfort Eco Boost function.
- 2 A gentle pull of the automatic handle opens the Comfort Eco Boost to supply air for the pre-set period of time.
- 3 The Comfort Eco Boost is powered by an easily changeable 9V battery that rarely requires replacing.
- 4 The easy to use timer control allows airflow to be pre-set to be provided for 1-7 minutes.



“ Jubilee 10 ”

COMPACT NORDIC STYLE

Sleek and contemporary, the 4kW Jubilee 10 stoves bring Nordic style into almost any home. The smallest models in the Jubilee range, these stylish woodburners are both shorter and slimmer than the more powerful Jubilee 25 and 35 (pages 10-13), making them perfect for standard sized British rooms and fireplaces. Three models offer various installation options including legs, a wood store and a wall mounted version.

Designed with the Lotus' latest stove innovations, Jubilee 10 stoves benefit from advanced combustion technology, an ergonomic soft-close door system and provision for an optional external air supply. A choice of optional door handles let you further personalise your stove to your suit your tastes.

Also see images on front cover & page 47

4 kW 3 - 6 kW E 81% A+



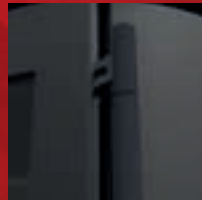
HANDLE OPTIONS:



Shape



Modern (optional)



Classic (optional)

MODELS AVAILABLE:



Jubilee 10 with Legs (Base)



Jubilee 10 with wood store (Basic)



Jubilee 10 Wall Hung (Wall)





Jubilee 10 with Legs (Base) shown with Grafton Mantel in Antique White Marble available from Stovax

“Jubilee 25”



STRIKING VERSATILITY

Designed with ergonomics and versatility in mind, the Jubilee 25 features a concealed log store base with door. Packed with details, this sleek woodburning stove employs Lotus' soft-close door system for easy fuel loading as well as their Comfort Air Control, which makes for easy and responsive operation.

The Jubilee 25 stove is available in Steel and Indian Night, which features sides and top plates made from rich dark soapstone. Both stove versions benefit from a choice of optional door handle styles to enhance their appearance.

6 kW

3-8 kW

E 81%

A+





Jubilee 25 shown with bevelled contemporary stand and toolset available from Stovax

HANDLE OPTIONS:



Shape



Modern (optional)



Classic (optional)

MODELS AVAILABLE:



Jubilee 25



Jubilee 25
Indian Night

“Jubilee 35”

A STOVE WITH ENDLESS POTENTIAL

The Jubilee 35 is a truly outstanding stove, combining an impressive 7kW heat output with a high efficiency of 82%. The stylish exterior holds a large combustion chamber that can accommodate logs of up to 50cm in length, and offers a breathtaking flame picture thanks to the expansive viewing window and powerful Airwash system. In addition, there is also a convenient concealed wood store compartment for quick and easy refuelling.

For added luxury, the Jubilee 35 can be selected with Indian Night stone sides and top. There is also a steel cook stove version with baking oven compartment above the combustion chamber for added cooking functionality.

🔥 7 kW

🔄 4 - 10 kW

📊 E 82%

➡️ A+



MODELS AVAILABLE:



Jubilee 35



Jubilee 35
Indian Night



Jubilee 35 with
Baking Oven









“Liva”

A RANGE OF EXCEPTIONAL CHOICES

Liva stoves offer a broad range of styles and options, incorporating a number of innovative features such as a soft-close door mechanisms, a cool-to-touch door handle and easy to use air control. There is also the option of upgrading Liva stoves with Lotus's unique Comfort Eco Boost (see page 7) as well as the built-in option of an external air supply to minimise internal drafts.

Presenting a choice of high, medium and low height models to suit a range of interiors. All Liva stoves are available with side windows for a panoramic flame view, with both 5 and 6 models also offered with steel sides. For ultimate versatility, the 7G can be rotated 180° thanks to its innovative pedestal base and flue connection which feature ball bearings for easy movement, allowing you to angle the stove to face different parts of the room.

🔥 5 kW 🔁 3 - 7 kW Ⓜ 78% **A**

Also see image on page 4



MODELS AVAILABLE:



Liva 5



Liva 5G



Liva 6



Liva 6G



Liva 7G





“Mira”

REFINED DESIGN

The result of Danish technical expertise and innovation, Mira stoves provides a generous 5kW heat output at up to 78% efficiency. Displaying all of Lotus' hallmarks, these stylish stoves combine advanced combustion systems, user-friendly design and quality craftsmanship. For even greater convenience, Mira stoves can be upgraded with Lotus' Comfort Eco Boost (see page 7) which speeds up ignition and automatically reduces airflow once the fire is burning.

The Mira series includes models such as the 4, which features large side windows, as well as the 7 which has the option of Lotus' PowerStones upgrade for long lasting heat even after the fire has gone out.

🔥 5 kW ⚙️ 3 - 7 kW Ⓔ 78% **A**



MODELS AVAILABLE:



Mira 3



Mira 4



Mira 7



Prestige Steel

FORM AND FUNCTION

A perfect example of Lotus' attention to detail, the Prestige Steel offers high performance, 5kW heating. The stove's tall firebox creates stunning flame visuals, with Cleanburn technology ensuring a high efficiency burn.



 5kW  3 - 7 kW  80% 

“Prestige Steel”



Prestige Steel

“Prestige Stone”

LUXURY STYLING

In addition to the high-quality cold-rolled steel version (see preceding pages), this stove is also available in a beautiful Indian Night soapstone finish, featuring a rich, natural grain for a luxurious focal point.

 5kW  3 - 7 kW  80% 



INDIAN NIGHT DETAIL:



MODELS AVAILABLE:



Prestige
Indian Night





“ Living ”





“ We could have made a new stove, but instead we created something entirely different.. ”

Lotus Living – all the qualities of the woodburning stove now in an exquisite and luxurious design. Far from being merely a source of heat, this unique feature fire is a stylish mode of expression which sets a whole new standard for interior design. The Lotus Living is a free-standing fire with an elegant rounded form, exceptional flame picture and high efficiency heat output. The double-layered glass door ensures optimum insulation for better combustion in the firebox.

To extend your interior options, the Lotus Living can be installed with Stovax's various Stove Benches (see page 43 for more information) which create an exciting contrast to the stove's subtle curves.

The Lotus Living is available in a choice of two colours; Phantom Grey and Alpina White (see right).

See additional image on page 2.



Phantom Grey



Alpina White

7 kW

3 - 9 kW

E 80.5%

A+



Living in Phantom Grey

“Living Base”



BREATHTAKING FLAME VIEWS

A totally unique combination of stove and plinth that adds instant appeal and a feature focal point in contemporary living spaces. The sturdy steel base provides convenient log storage and offers extra visual appeal by mirroring the beautiful curves of the Lotus Living fire.

Lotus Living & Base are available in two colours: Phantom Grey and Alpina White.

7 kW

3 - 9 kW

80.5%

A+





Living Base in Phantom Grey



Living Base in Phantom Grey



Living Base in Alpina White

“Living Cube”



SUBTLY STUNNING

Lotus Living is all about contemporary tones and a strong sense of style. When combined with the Cube, the Lotus Living raises these to the highest levels as well as providing an attractive functional space in which to store your logs.

The Cube is colour matched to the fire in your choice of Phantom Grey and Alpina White. The Cube is also available as a closed steel cube with your choice of a black glass or steel backing.

See additional image on page 2.



7 kW



3 - 9kW



80.5%



A+





Living Cube in Phantom Grey



Living Cube in Alpina White

“Fireplace inserts - a world of possibilities”



Combining outstanding combustion technology with a fantastic view of the flames, Lotus fireplace inserts are an ideal choice if you are looking for a stylish centrepiece and high performance heating.

Lotus fireplace inserts are constructed according to the finest principles of craftsmanship with an exclusive and thoroughly thought-out design and finish that is in a class of its own. The elegant control lever integrates beautifully so nothing interrupts the inserts clean lines; a true testament to Kaare Sølvesten, the architect behind their simple yet refined design.

There are several sizes in the range from the portrait H700 to the widescreen H570W, each offered to expand your styling options and to suit the heating requirements of your home. Further styling options are available with a choice of either steel or Black Magic door and frame options. There is even a double-side model that allows you to enjoy the exciting flame visuals from two rooms at once!

Each of the insert fires is compatible with the optional warm air ducting kit that can distribute some of the fires heat into other rooms to really maximise the heating benefits from this stunning fire range.



H570W with Black Magic door & frame



“H370”



DEPENDABLE DESIGN IN BLACK STEEL OR BLACK MAGIC

This high efficiency fireplace insert affords a fantastic view of the flames thanks to the expansive viewing window. Minimalist detailing is continued throughout the design, with elegant control levers integrated discreetly into the fire's clean aesthetics.



In addition to the Steel version, a stunning Black Magic version is available featuring a luxurious black glass door.

 6 kW  3 - 7kW  78% 



H370 shown with Stovax Medium Black Log Holder

FIRE SIZE:



H370

“H470”



ADVANCED ENGINEERING WITH BEAUTIFUL AESTHETICS

Presenting a stunning flame picture, framed by either a Matt Black or Black Magic door, the 470 adds an impressive focal point to any living area. Burning at 84% efficiency, this 6kW fire is a high performance heating choice that combines beautiful aesthetics with advanced engineering. For optimal installation versatility, the 470's hinges can be positioned either side of the fire.



 6 kW  3 - 7kW  84% 



H470 with Black Magic door & frame

FIRE SIZE:



H470




“H470W”



WOODBURNING IN WIDESCREEN

The H470W is a wide format woodburning insert with proportions that really accentuate the fire's stylish form and alluring flame picture. With ample heating capacity for larger living spaces and high efficiency technology to make the most of your fuel, this fire has the performance to match its aesthetic appeal.



 7 kW  3 - 10 kW  80.5% 



H470W

FIRE SIZE:



H470W



MAXIMUM IMPACT

The H570 is a versatile fire that is available in an additional wide version to increase your interior options.

With the Lotus tunnel option, the elegant play of the flames can be enjoyed from two rooms at once! This eye-catching fire can be operated and refuelled from either side for complete convenience.



Also see images on page 28 and on the rear cover.

H570:	6 kW	3 - 8 kW	84%	
H570W:	7 kW	4 - 11 kW	80.5%	
H570T:	6 kW	4 - 9 kW	80.5%	

“ H570 ”

Including Wide and Double Sided models



H570W

FIRE SIZES:



H570 (see rear cover)



H570W



The H570 is also available as a Double Sided 'Tunnel' model. (H570T)





“ H700 ”

THE PORTRAIT OF PERFECTION

Retaining the quality styling and innovative firebox characteristics that define the Lotus insert range, the H700 stands out with its distinctive portrait form.

Also see image on page 29.

 6.1 kW  3 - 7 kW  83% 



FIRE SIZE:



H700



“ Style ”

IMPRESSIVE AESTHETICS

The Style range offers the stunning landscape visuals associated with cassette fires in a refined freestanding stove format. Available in two sizes; the 370 and 470W, each model can be selected with either Soapstone, Limestone or Indian Night stone frames as well as a log store base to elevate the stove. The log store base can also be supplemented with an optional storage box to hide away gloves and accessories.



370: 5.8 kW 3 - 6 kW

470W: 7 kW 3 - 7 kW

* Style 370 only. Subject to official listing.



Style 470W Limestone



Style 370 Soapstone



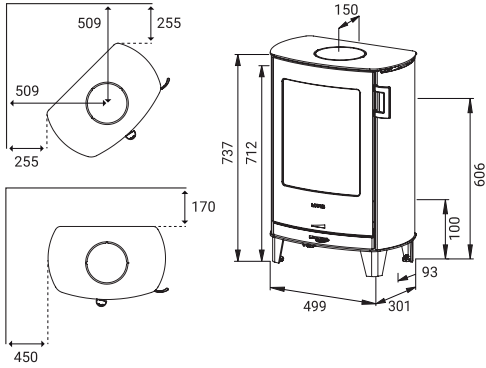
Style 370 Indian Night



Style 370 Limestone

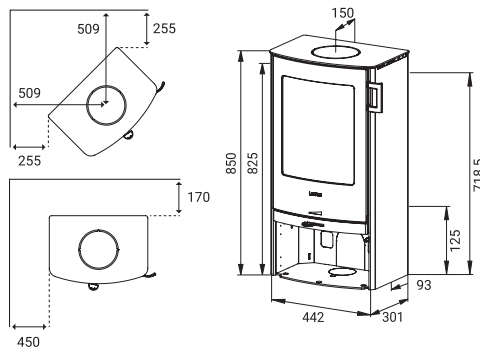
“Technical Information - Stoves”

Jubilee 10 with legs (Base)



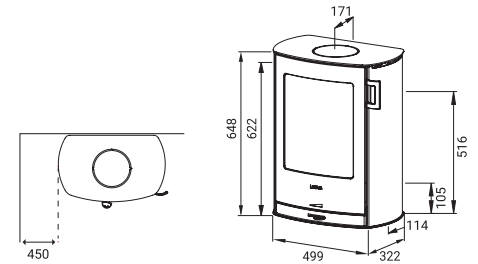
Weight: 82kg Flue Ø: 150mm

Jubilee 10 with log store (Basic)



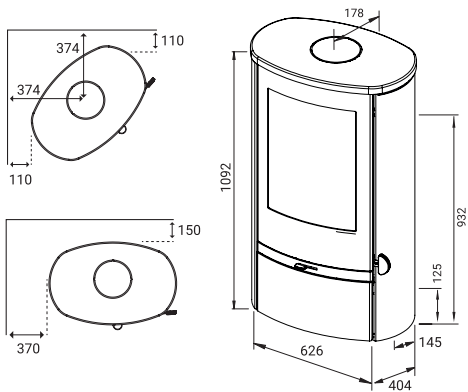
Weight: 86kg Flue Ø: 150mm

Jubilee 10 Wall Hung



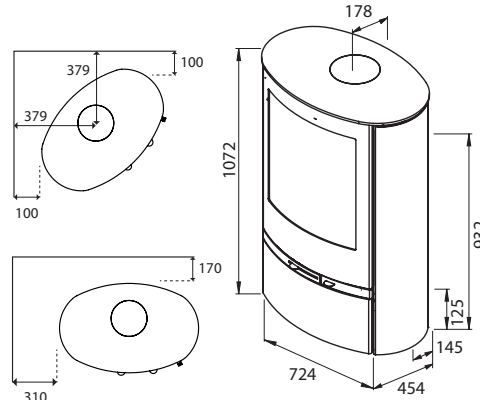
Weight: 84kg Flue Ø: 150mm

Jubilee 25



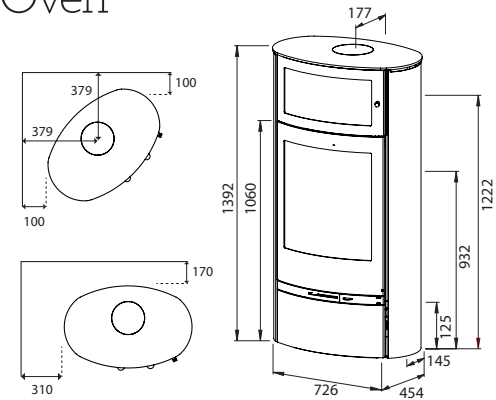
Weight: 160kg Flue Ø: 150mm

Jubilee 35



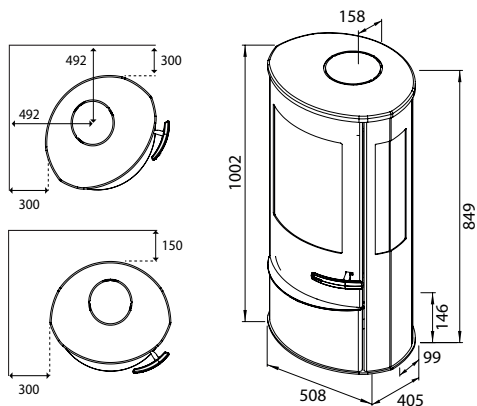
Weight: 192kg Flue Ø: 150mm

Jubilee 35 with Baking Oven



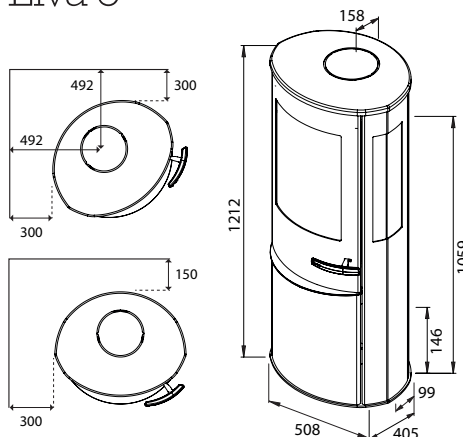
Weight: 236kg Flue Ø: 150mm

Liva 5



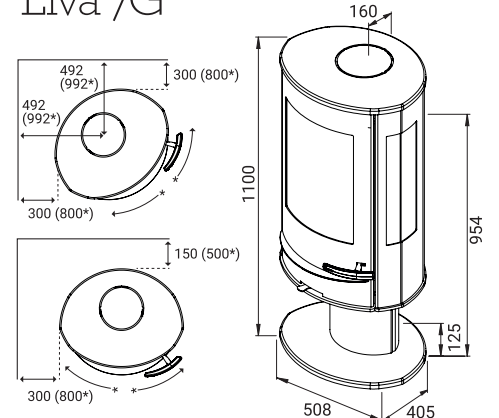
Weight: 134kg Flue Ø: 150mm

Liva 6



Weight: 150kg Flue Ø: 150mm

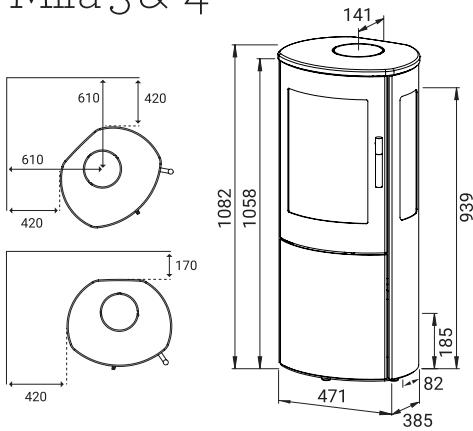
Liva 7G



Weight: 157kg Flue Ø: 150mm

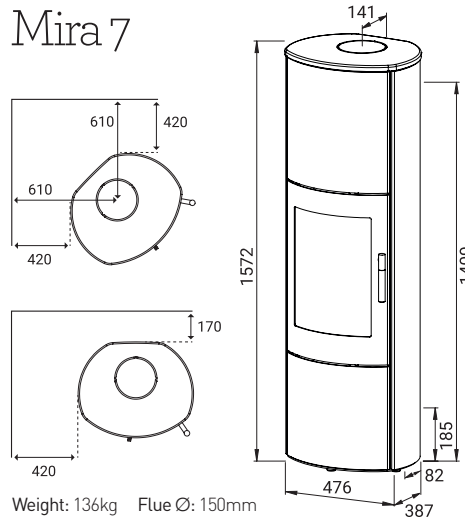
* Distance to combustible material is increased if installed as a rotating stove

Mira 3 & 4



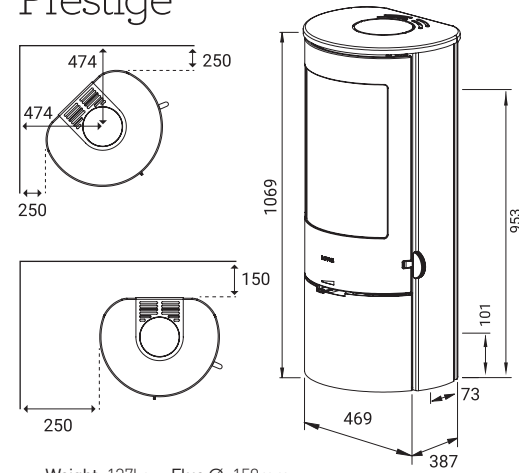
Weight: Mira 3: 117kg / Mira 4: 117kg Flue Ø: 150mm

Mira 7



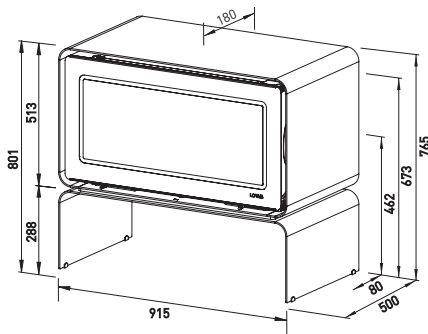
Weight: 136kg Flue Ø: 150mm

Prestige



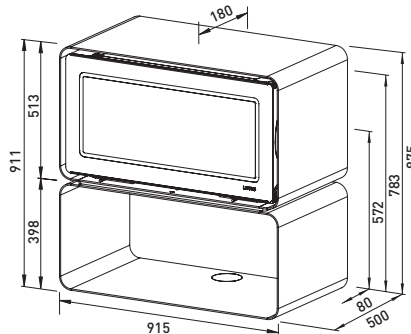
Weight: 127kg Flue Ø: 150mm

Living Base



Weight: 190kg Flue Ø: 150mm

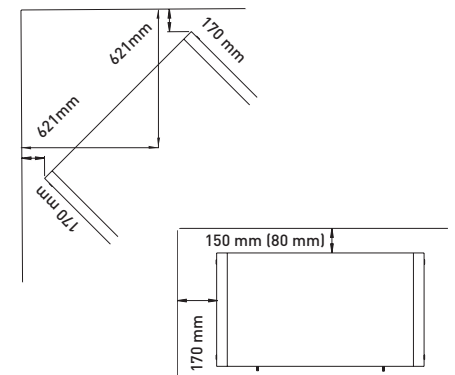
Living Cube



Weight: 211kg Flue Ø: 150mm

Living - Distance to Combustibles

Measurements in brackets are the distance from Wall to Stove with an insulated flue.



Living in Phantom Grey with Stovax Stove Bench 180 High

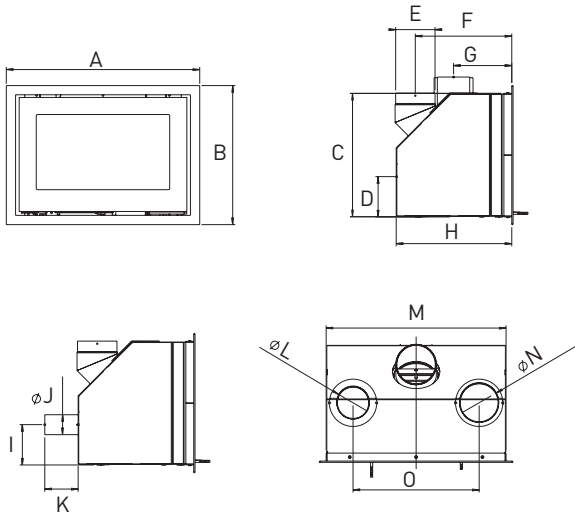
Stovax Stove bench options for Living

Product	W(mm)	H(mm)	D(mm)
Stove Bench 120 Low (500mm Deep)	1200	250	500
Stove Bench 120 High (500mm Deep)	1200	350	500
Stove Bench 140 Low (500mm Deep)	1400	250	500
Stove Bench 140 High (500mm Deep)	1400	350	500
Stove Bench 180 Low (500mm Deep)	1800	250	500
Stove Bench 180 High (500mm Deep)	1800	350	500

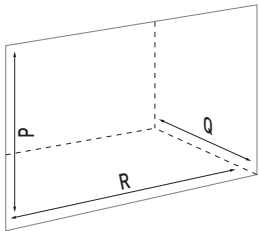
Distance to combustible material is measured when using insulated flue pipe from the top of the product.

“Technical Information - Cassette Fires”

Fireplace Insert Dimensions



Minimum Opening Dimensions



Key

- Nominal Heat Output
- Heat Output Range
- Efficiency
- Room Size
- Weight
- Energy Efficiency Class

	H370 Petite	H470	H470W	H570	H570W	H570T (Double Sided)	H700
	6kW	6kW	7kW	6kW	7kW	6kW	6.1kW
	3 - 7kW	3 - 7kW	3 - 10kW	3 - 8kW	4 - 11kW	4-9kW	3 - 7kW
	78%	84%	80.5%	84%	80.5%	80.4%	83%
	30 -120m ²	30 -120m ²	30 -130m ²	30 -120m ²	30 -130m ²	30 -120m ²	30 -110m ²
	87kg	95kg	120kg	111kg	154kg	155kg	96kg
	A	A+	A+	A+	A+	A+	A+

Dimensions (mm)

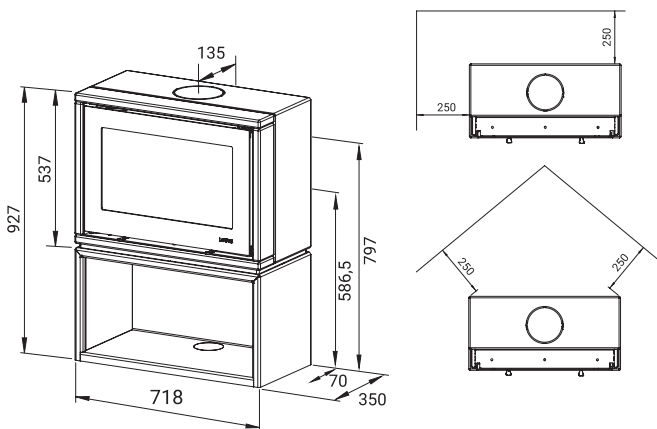
A	736	736	948	756	1088	756	515
B	529	529	529	654	654	654	784
C	470	470	470	575	575	575	705
D	154	154	154	154	154	-	154
E	150	150	150	150	150	150	150
F	265	365	365	365	365	295	365
G	122	221	222	222	222	-	219
H	340	440	440	440	440	590	440
I	154	154	154	154	154	-	154
J	76	76	76	76	76	76	76
K	127	127	127	127	127	-	127
L	-	123	148	148	148	-	148
M	685	685	897	685	1017	685	450
N	-	148	148	148	148	-	148
O	-	480	510	480	600	-	230

Minimum Opening Dimensions (mm)

P	480	480	480	585	585	585	715
Q	350	450	450	450	450	590	450
R	695	695	907	695	1027	695	452

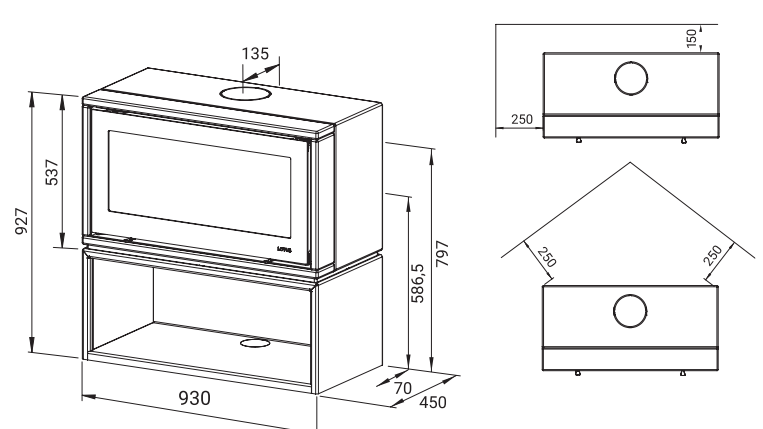
Distance to combustible material is measured when using insulated flue pipe from the top of the product.

Style 370



Weight: 141kg Flue Ø: 150mm

Style 470W



Weight: 194kg Flue Ø: 150mm

“Further Information”

PRODUCT IMPROVEMENT & WARRANTY

Lotus pursue a policy of constant product improvement. Products supplied may therefore differ in specification from those illustrated or described in this brochure, and you should always check the final specification with your Lotus retailer.

Your Lotus Expert Retailer will provide you with a Two Year Warranty for your new woodburning stove or fire. This can then be extended to a Ten Year Warranty provided your stove is registered with Lotus within one month of the later of the purchase date or installation date. Accordingly, the start date for the warranty period is the date of purchase. During the registration process the Expert Retailer details will be required for your Extended Warranty to be activated. Please note, this warranty excludes certain consumable parts and is dependant on your appliance being serviced by an appropriately qualified person 12 months after installation and annually thereafter. Stoves purchased outside of Lotus' Expert Retailer Network will carry a standard 1 Year Warranty. Full details of this warranty is set out to view on our website at www.lotusfires.com.



CARE OF YOUR STOVE OR FIRE

To help you get the best performance from your stove or fireplace and keep it in good condition, Stovax (Lotus' distributor in the UK and Republic of Ireland offers a wide range of cleaning and maintenance products. Stovax also supplies a wide variety of high quality fireplace accessories such as contemporary steel log holders. Your Lotus retailer will be able to give you full details or you can view the complete range at Stovax's website - www.stovax.com.



IMPORTANT INFORMATION

Please note that the installations shown within this brochure may not conform to British and Irish building regulations. Please consult with a qualified professional installer (HETAS registered in the United Kingdom) for expert advice including the requirement for a hearth in your home.

We recommend that a HETAS approved installer should undertake a site survey prior to purchase and it is a requirement that any Lotus stove or fire should be installed by an appropriately qualified HETAS approved installer.

All fires and stoves consume air as they burn. To comply with Building Regulations (Document J) you may need to install a fixed air vent to ensure adequate ventilation. A room vent is not normally required when the air permeability is greater than 5.0m³/hr/m². Your Lotus retailer or HETAS installer will be able to advise on this. You can also download detailed installation instructions prior to purchase from www.lotusfires.com. Furthermore, by law all installations also require a Carbon Monoxide Monitor be present.

Please note that all parts of these stoves, particularly the glass panel in the door, become extremely hot during operation and can result in serious injury and burns if touched. It is therefore recommended that a fireguard complying with BS 8423:2002 is used in the presence of young children, the elderly or infirm.

STOVAX PROFESSIONAL XQ™ STOVE AND FIREPLACE CHIMNEY SYSTEMS

Lotus recommends the Stovax comprehensive range of stove and fireplace chimney systems, the Stovax Professional XQ™ collection.

Crafted from 304L grade stainless steel for a durable outer finish, the fully sealed components offer water tight protection for the insulation within.

With innovative decorative options, the ability to specify a colour for your system, and with a host of technical advancements such as its Twist-Lock system, the Stovax Professional XQ™ range provides an attractive, versatile and reliable solution for your flue system. Furthermore, the Stovax Professional XQ™ range carries a 10 Year Extended Warranty offering complete peace of mind.

For further information or to request a brochure, simply contact your local retailer or visit www.stovax.com.



Register your stove and we'll plant a tree...

Stovax (Lotus's distributor in the UK and Republic of Ireland) are working with our recommended British Woodsure "Ready to Burn" fuel supplier Certainly Wood to encourage sustainable woodland creation. For every stove or fire registered for our Extended Warranty in the UK*, the Stovax Heating Group and Certainly Wood will jointly fund the planting of a tree as part of our #GreenBritain campaign. Our goal is to plant 10,000 new trees each year in Britain.

Find out more at stovax.com/GreenBritain



...and you'll get a free Fire Starter Kit

Once you have registered your product*, you will also receive a free Fire Starter Kit from Certainly Wood to help you get started with your new Lotus stove. Inside you will find high quality, Woodsure "Ready to Burn" logs, kindling, Flamers (natural firelighters) and a handy good firewood guide so you can get the best out of your Lotus stove along with a £20 money-off voucher for your first Certainly Wood fuel order.



Visit our partner online at certainlywood.co.uk for certified Woodsure Ready to Burn firewood.

WIN the cost of your product back!*

For further home inspiration you can view real life installations on the Stovax Customer Showcase page (Lotus's distributor in the UK and Republic of Ireland), and share your thoughts and photos of your new stove or fire installation to enter our draw!

- We will publish your entry on the Stovax Customer Showcase
- You will be entered into a draw for the chance to win the cost of your product back
- **Gain a second entry** by registering your product online for your free extended warranty at stovax.com/registration

View real life installations and submit your review at stovax.com/customershowcase

* Terms and conditions apply. See online for details



"Amazing, beats all our expectations"



Instagram - the_monochrome_stylist
"It's so easy to start up, with a press of a button!"



Jubilee 10 with wood store base (Basic) with optional Classic handle

Stovax gratefully acknowledges the assistance of the following companies with photographic settings:

www.amara.com, www.furniturevillage.co.uk, www.lauraashley.com, www.faginsantiques.com, www.theorangetree.co.uk, www.habitat.co.uk, www.houseoffraser.co.uk
www.ashorejewellery.co.uk, www.eclectique.co.uk, www.debenhams.com, www.next.co.uk, www.mokodirect.co.uk, www.marksandspencer.com, www.rocketstgeorge.co.uk
www.frenchconnection.com, www.wayfair.co.uk, www.urbanoutfitters.com/uk, www.tkmaxx.com, www.homesense.com, www.johnlewis.com, www.coxandcox.co.uk
www.urbanara.co.uk, www.amoslighting.co.uk, www.farmington.co.uk, www.bnsp.co.uk, www.grandisson.com, www.rudloe-stone.com, www.beechbros.co.uk
www.originalstyle.com, www.stbridgetnurseryseries.co.uk, www.easyart.com, www.woofenden.com, www.amtico.com, www.opiesuk.co.uk, www.graceandgloryhome.co.uk
www.chunkymonkeyfurniture.co.uk, www.wallsandfloors.co.uk, www.desenio.co.uk



H570

United Kingdom & Republic of Ireland distributors for Lotus:

Stovax Limited

Falcon Road, Sowton Industrial Estate,
Exeter, Devon EX2 7LF

UK Trade Sales tel: 01392 474000

ROI Trade Sales tel: 00 44 1392 261990

E-mail: lotus@stovax.com

www.lotusfires.com



FIND YOUR EXPERT RETAILER

You can find your nearest retailer by
visiting: www.lotusfires.com/retailers

Your local Lotus retailer:

£2.00

LOTUS1120

