

Legendfires^{flame}

quality | style | choice



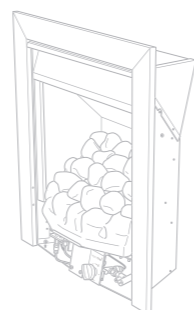
Legendfires^{flame}
The legend range

ETHOS
The spirit of passion

GARDEN
cube^{flame}

Legendfires[®]

Stunning looks, stylishly sophisticated and performance that sets new standards.



ETHOS

The spirit of passion

The Ethos range from Legend Fires just cannot be ignored. Ethos, The Spirit of Passion.

Stunning looks, stylishly sophisticated and performance that sets new standards, Ethos from Legend Fires promises to be more admired than anything else around.

Rich and understatedly opulent with a sophisticated exterior, the Ethos is designed to be noticed and built to last. And in true Legend Fires tradition, the Ethos range has once again raised the bar for efficiency, performance and style.

Legendfires[®]

The legend range

Quality, style and choice are our hallmarks and we only supply dedicated fireplace retailers who can offer you a similar service.

At Legend, we understand that everyone is individual. We have designed our products to be as bespoke to the individual as possible. A vast selection of control, frame and fuel options are available and are featured in this brochure making the Legend Fires range of products one of the most versatile on the market today.

GARDEN cube

The warmth of the real flames exudes from all 4 sides of Garden Cube providing the perfect outdoor environment.

Featuring a superb contemporary glass encased cabinet with extended chimney for added comfort Garden Cube allows you to enjoy your garden or outdoor space to the full and is the perfect way to spend a Summer's evening.

And an ingenious ash collection tray ensures there's no mess... so you can spend more time relaxing and living the good life.



Quality, style and choice are our hallmarks.

Legend Fires was established in 1996 and have become one of the leading names in the development and manufacture of living flame gas appliances.

Situated close to the Ribble Valley, an area of outstanding natural beauty, Legend has an unrivalled manufacturing and service reputation in the gas appliance industry. Quality, style and choice is our 'ethos' and we only supply dedicated fireplace retailers who can offer you a similar service. At Legend, we understand that everyone is individual.

We have designed our products to be as bespoke to the individual as possible.

"A vast selection of control, frame and fuel options are available and are featured in this website making the Legend Fires range of products one of the most versatile on the market today. We strongly believe our responsibility to our product does not end once it has left our factory. At Legend, we pride ourselves on our after sales and customer support, we firmly believe that this support, is the best in the industry. If you have any technical enquiries with regard to any of our products and services, please feel free to call our sales team, who will be willing and able to answer your questions."

John Stone and Susan Calvert

Directors

Contents

Ethos 750 Landscape	page 04
Ethos 750 Super Portrait	page 06
Ethos 750 Portrait	page 08
Ethos 550	page 10
Ethos 400 Stove	page 12
Ethos 400	page 14
Ethos 3S	page 16
-	
Virage	page 18
Evora	page 20
Vantage	page 22
Vantage 4 Sided	page 24
Mirage	page 26
Sintra	page 28
Spirit	page 30
Spirit Superslim	page 32
Heritage Inset Fire	page 34
-	
Garden Cube	page 36
-	
Ethos Technical Specifications	page 38
Ethos Technical Options	page 40
Interior Panel & Frame Guide	page 42
Modular Fuel Beds	page 43
Gas Fire Options	page 44
Technical Drawings	page 46

Ethos 750 landscape

Suitable for hole-in-the-wall or some fireplace settings, the 750 Landscape combines a class leading efficiency of 87.2% with stylish looks and fantastic performance. Remote control is standard and the 750 Landscape can be fitted with a wide choice of frames or Marble/Granite slip combination and can be installed in a fireplace setting. Please ask your Legend Ethos dealer for details. High definition, detailed logs are standard.



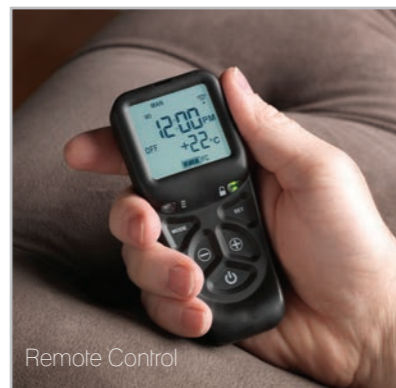
Landscape Matt Black



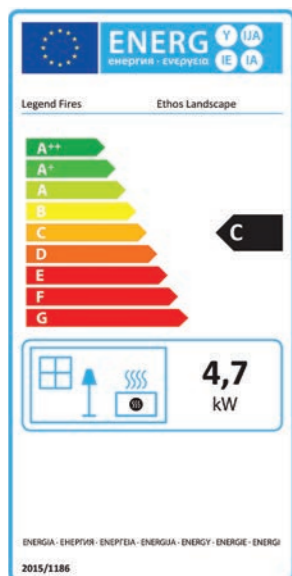
Fireplace Installation



Landscape Profile Silver



Remote Control



A stunningly beautiful focal point to any room

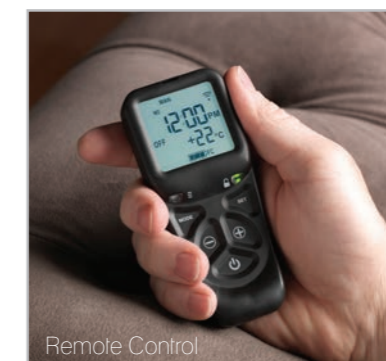
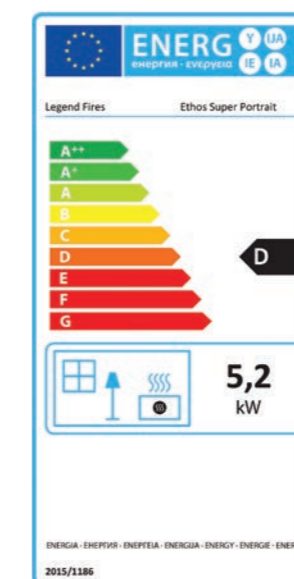
Domineering scale and
superb lines



Ethos 750 super portrait

Ethos 750 Super Portrait offers a grand but seductive vibe. It's domineering scale and superb lines reinforce the Ethos values. Industry leading efficiency of 78% confirms Ethos 750 Super Portrait as design par excellence.

Ethos Super Portrait 750 is guaranteed to beautify any contemporary or traditional inspired project.



The perfect choice for contemporary or traditional inspired projects.

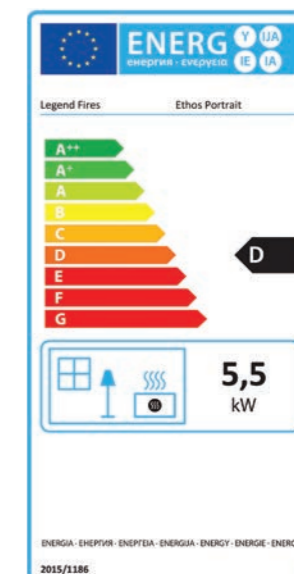
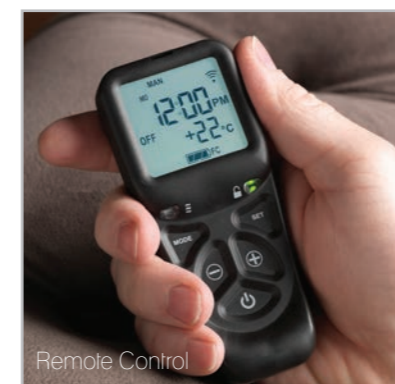


Ethos 750 portrait

Suitable for fireplace settings or hole-in-the-wall applications, the Ethos 750 Portrait is a versatile high efficiency appliance manufactured to the highest specification. An industry leading efficiency of 82.3%, combined with a meticulous manufacturing process, means the Ethos 750 is your perfect choice for contemporary or traditional inspired projects. Remote control and high definition, detailed logs are standard.



Hole in the Wall Installation

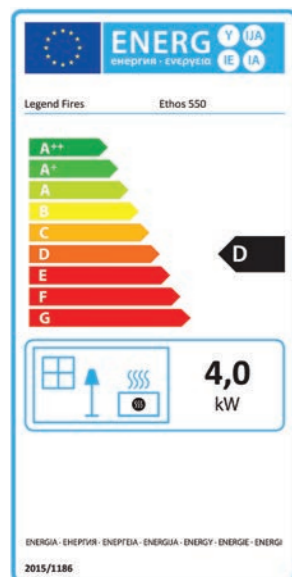


Ethos 550

Manufactured and tested to a very high standard, the Ethos 550 is a fantastically versatile appliance that would suit fireplace or hole-in-the-wall applications. Rated at 80.6%, the Ethos 550 is a very high performance appliance with fully sequential remote control as standard. There are a wide range of frames and trims available to suit all decors, please ask your Legend Ethos stockist for more details.



A wide range of frames and trims



Black Granite Slips



Landscape Black



Fireplace Installation



Flat Black



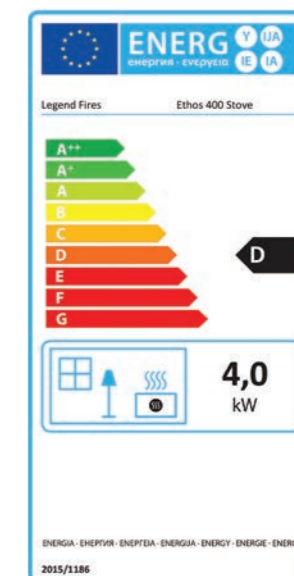
Profile Silver



Both beautiful
and functional

Ethos 400 stove

Complete with Log Store, the Ethos 400 Stove is both beautiful and functional combining the hallmarks of Ethos design, engineering excellence and a dedication to providing the very best. Quite simply Ethos 400 won't disappoint. With an efficiency rating of 81%, available as a free standing option and with a choice of interiors this natural gas stove ticks all the boxes. With stunning good looks guaranteed Ethos 400 sits comfortably in a fireplace or freestanding setting. It comes complete with full sequential remote control so you can sit back and enjoy. Ethos 400 is suitable for Flue Type Class 1 or Class 2 and will fit into a 5 inch Twinwall or 7 inch Copex.



Ethos 400

The designer label for exquisite fires. Alluring, visually stunning and a unique creative vision are the hallmarks of Ethos from Legend and Ethos 400 continues in this tradition. Ethos 400 is rated at 81% efficient - indulge your senses.



Black Liner



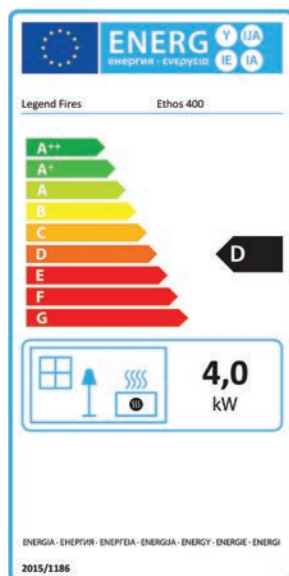
Black Vermiculite Liners



Chrome Black Glass Liner



Chrome Vermiculite Liner

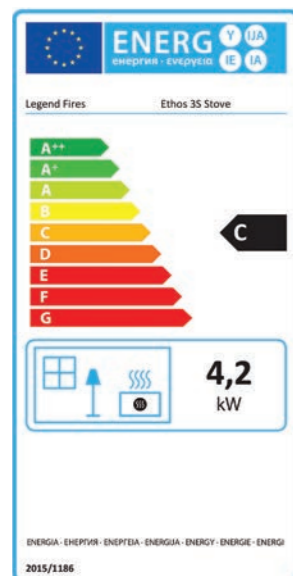


Indulge your senses

Ethos 3S

A superb blend of design flair and engineering excellence is in abundance with Ethos 3S.

This 3 sided natural gas glass stove has been manufactured to exacting standards and is available with a choice of interiors. Setting new standards in efficiency Ethos 3s comes in at 84% and will suit both fireplace and free standing settings. A full sequential remote control system provides performance at the touch of a button and completes the picture of excellence. Ethos 3s is suitable for Flue Type Class 1 or Class 2 and will fit into a 5 inch Twinwall or 7 inch Copex.





Both beautiful
and functional

Profile Satin Frame with Coal Effect

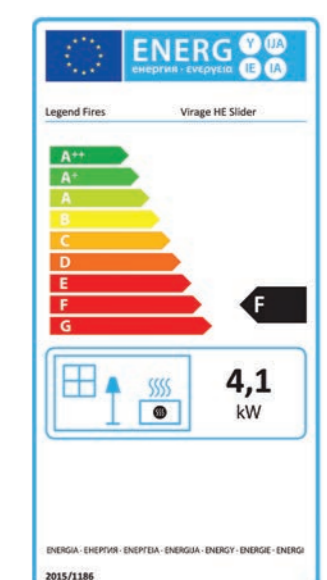
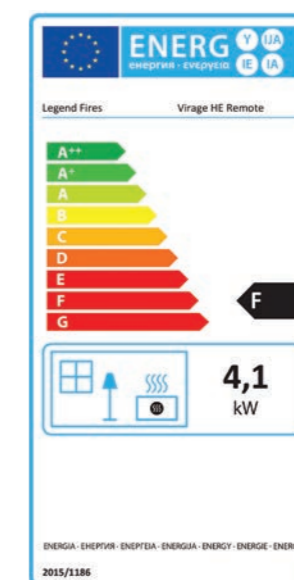
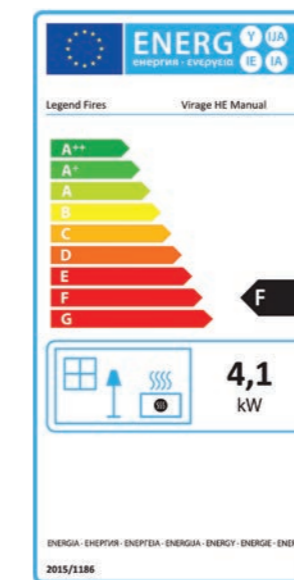
Virage

The Legend Virage has been developed to provide superb flame picture with fabulous efficiency.

Stylish looks are enhanced with a wide variety of fuel bed and frame options to enable you to make your fire unique to you.

Virage can be fitted into a conventional fireplace or can be fitted as a hole in the wall unit.

A heat output of 4.6kw and an efficiency of 67% makes the Legend Virage an outstanding choice for an open fronted gas appliance.



4 Sided Version with optional Back Plate

A full list of options can be found on pages 42-43



Provides superb efficiency

4 Sided Black Vision Frame

Evora

The Legend Evora provides a superb efficiency of 80.1% and has an efficiency classification 1.

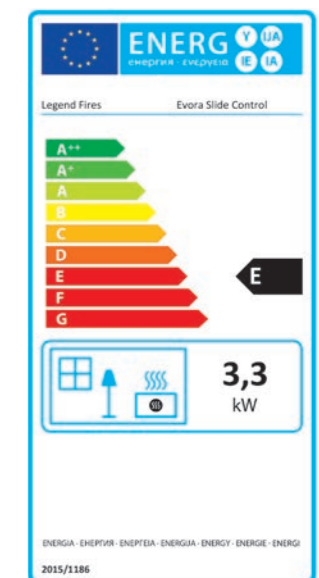
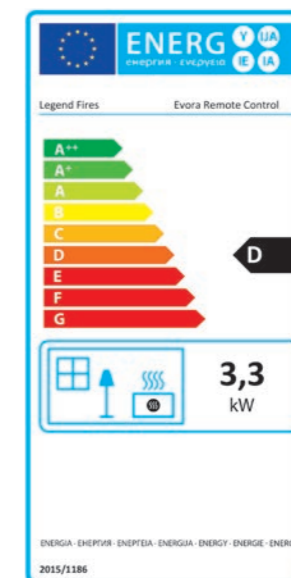
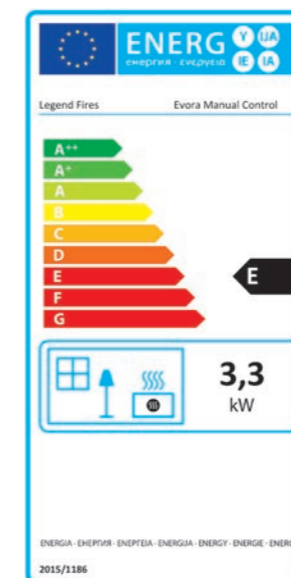
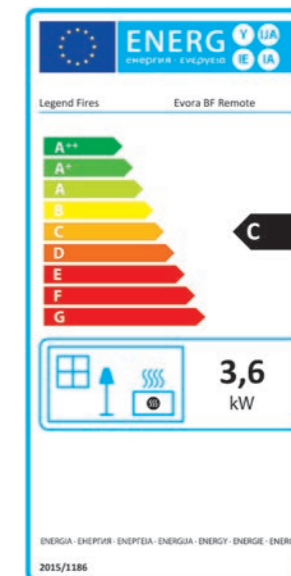
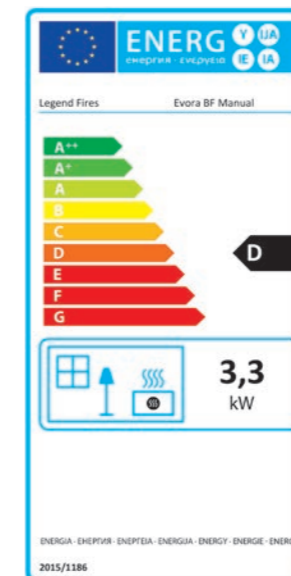
Evora can be installed into a fireplace as a three sided fire or mounted in a hole in the wall situation. A ground breaking modular fuel bed in either coal or beach coal can be specified to ensure a consistent flame pattern and ease of maintenance.

The Evora is available as a Conventional flued or Balanced flued appliance.



Profile Bronze Frame with Modular Pebble Fuel Effect

A full list of options can be found on pages 32-33.





Our best selling fire

Vantage

The Legend Vantage is our best selling fire, it has become an industry 'Legend', often copied but never equalled.

Vantage can be specified with several fuel bed and frame options making it equally at home in traditional or more contemporary homes.

Vantage comes in various sizes including 16", 18", 22" or even low lintel variants. Please ask your Legend stockist for details.



Vantage 4 Sided

The Vantage 4 Sided is a development of the already established Vantage range. This variation features a modern 4 sided trim, which eliminates the need for a hearth. An optional rear decorative backplate is also available.

Again, this model utilises the tried and tested Vantage burner, which has become a mainstay of the Legend range and is available with a choice of fuel bed.

Fuel Types: Natural Gas or LPG
(Except Beach Coal)

Controls: Manual or Remote Control

Fuel Bed: Coal, Beach Coal, Deluxe Pebble,
Twigs, Driftwood or Modular Coal

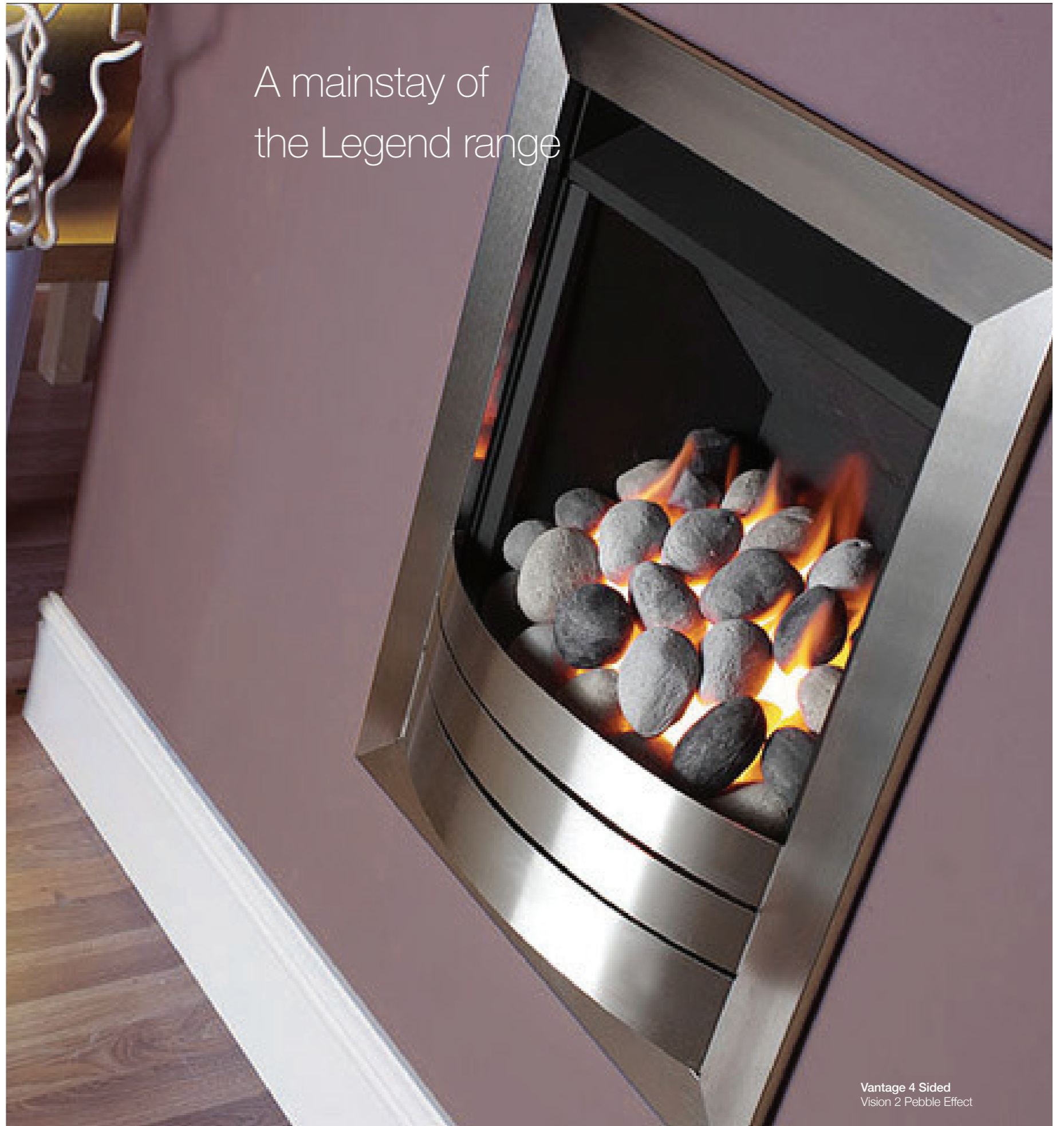
Trim Finish: Brushed Stainless Steel

Fuel Class: Class I and Class II



Vantage 4 Sided
Vision 2 Driftwood Effect

A mainstay of
the Legend range



Vantage 4 Sided
Vision 2 Pebble Effect

Mirage

With a stylish black landscape design the new Mirage represents the ultimate in elegantly understated hole in the wall style.

Neat lines and discreet controls ensure a minimal exterior façade and with a modular fuel bed there is also no requirement for a traditional hearth.

Fuel Types: Class I / II

Controls: Manual and Remote Control

Heat Input: High 6.9kw Low 4.2kw

Gas Type: Natural gas and LPG

Styles available

Trim finish: Piano Black

Fuel Bed: Modular Coal, Modular Pebble



Elegant and understated



Uncomplicated styling

Sintra

The Sintra's unique compact design is perfectly suited to the smaller size room and the uncomplicated styling complements the simplicity of minimalist decor.

The modular coal fuel bed means there is no requirement for a traditional hearth. Sintra is equally at home in a fireplace installation or as a hole in wall setting.

<i>Fuel Types:</i>	Class I / II
<i>Controls:</i>	Manual and Remote Control
<i>Heat Input:</i>	High 6.9kw Low 4.2kw
<i>Gas Type:</i>	Natural gas and LPG

Styles available

Trim finish: Piano Black

Fuel Bed: Modular Coal, Modular Pebble

Spirit

The Spirit was designed to operate on class 1, class 2 and certain pre-cast flues and therefore is shallower than the Vantage.

However the Spirit still retains it's deep red glowing coals and realistic flame effect. Available in slide, remote and manual control options.

Glowing coals and realistic flames



Brass Trim



Coal Effect Polished Steel Trim



Spirit Superslim

Available in a number of finishes and compatible with all pre-cast flue systems, the Spirit Superslim fire has a depth of only 90mm.

However when fitted with a modular coal or pebble fuel bed, the appearance is of a full depth fire. Superslim is available in slide, remote or manual control options.

Only 90mm in depth



A full list of options can be found on pages 44-45.

Heritage Inset Fire

Suitable for installation into a standard milner fire back Heritage is available with a coal or pebble fuel bed to create a stunning realistic flame picture.

Fuel Types: Class I / II

Controls: Manual only

Heat Input: High 6.9kw Low 4.2kw

Fuel Type: Coal / Pebble



Classical in style

Heritage Inset Fire with the Menora Antique Fret



For those long summer nights

Garden Cube

Summer nights last longer with our stunning wood burning outdoor patio & garden heater.

The warmth of the real flames exudes from all 4 sides of Garden Cube providing the perfect outdoor environment. Featuring a superb contemporary glass encased cabinet with extended chimney for added comfort Garden Cube allows you to enjoy your garden or outdoor space to the full and is the perfect way to spend a Summer's evening.

And an ingenious ash collection tray ensures there's no mess... so you can spend more time relaxing and living the good life.



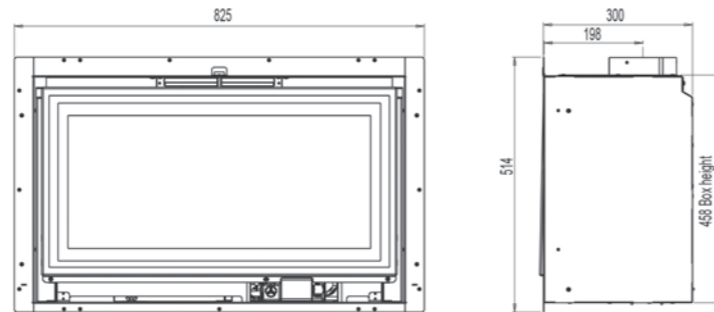
GARDEN
cube

Only

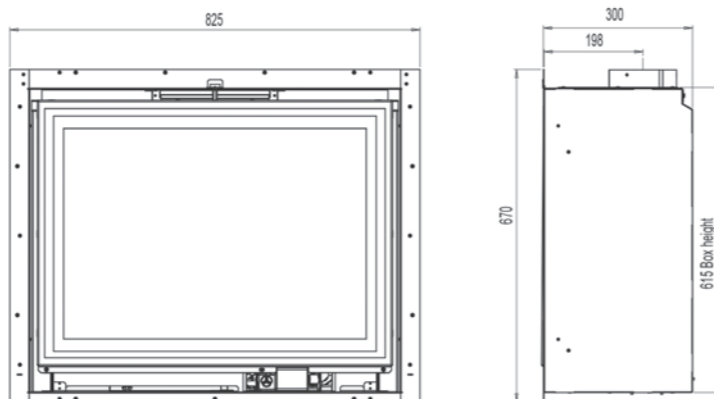
£1299.00 inc VAT

Technical Specifications

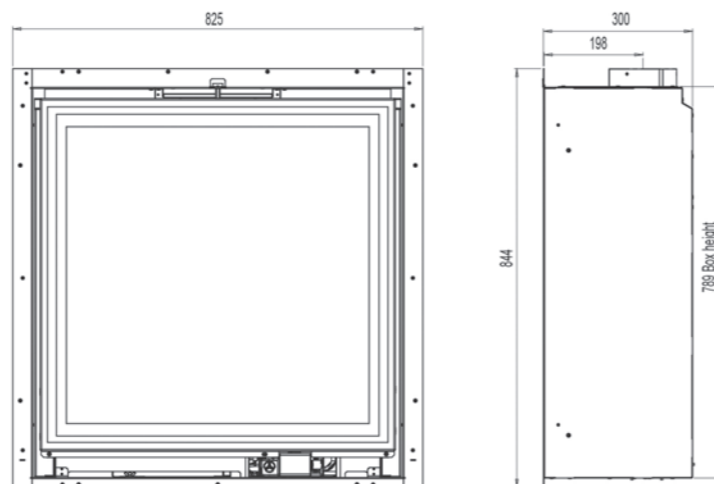
Ethos 750 Landscape
 6.0 kw input
 4.7 kW output
 87.2% efficiency nett



Ethos 750 Portrait
 7.4 kw input gross
 5.5 kw output gross
 82.3% efficiency nett

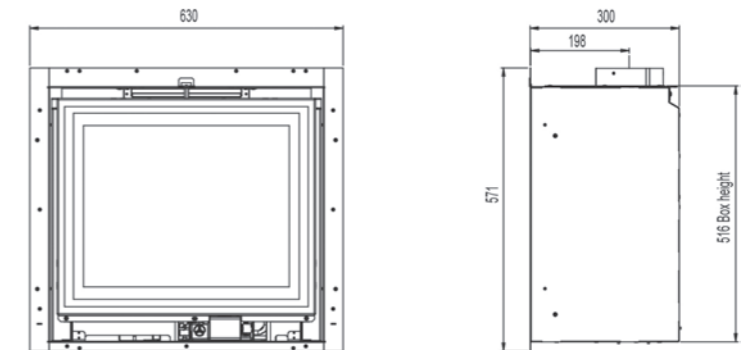


Ethos 750 Super Portrait
 7.4 kw input gross
 5.2 kw output gross
 82.3% efficiency nett

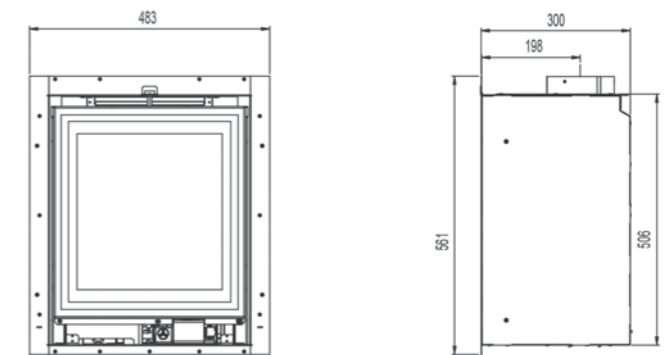


Technical Specifications

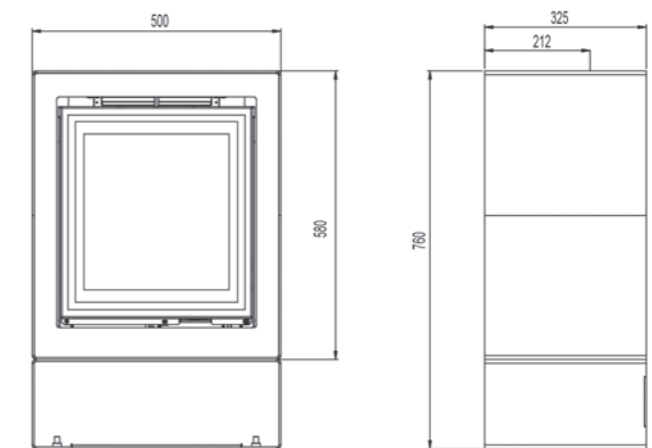
Ethos 550
 4.0 kw input gross
 4.2 kw output gross (estimated)
 80.6% efficiency nett



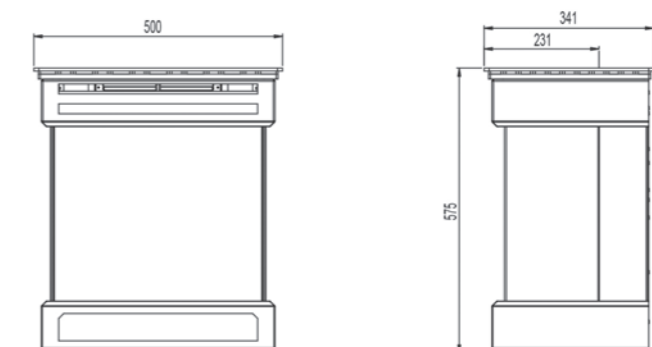
Ethos 400
 5.5 kw input gross
 4.0 kw output
 81.0% efficiency nett



Ethos 400 Stove
 5.5 kw input
 4.0 kw output
 81.0% efficiency nett



Ethos 3S
 5.5 kw input
 4.2 kw output
 84.0% efficiency nett



Product Ethos	Landscape	Portrait	SP	550	400	400 Stove	3S stove
Useful Efficiency	87.20%	82.30%	78%	80.60%	80.90%	80.90%	84%
Flue Types							
Class I	Yes	Yes	Yes	Yes	Yes	Yes	Yes
Class II	Yes	Yes	Yes	Yes	Yes	Yes	Yes
Precast Flue *	No	No	No	No	No	No	No
Controls							
Remote Control	Yes	Yes	Yes	Yes	Yes	Yes	Yes
Heat Output KW							
High	4.7	5.5	5.2	4	4	4	4.2
Low	1.9	1.8	1.7	1.4	1.4	1.4	1.3
Heat Input KW							
High	6.0	7.4	7.4	5.5	5.5	5.5	5.5
Low	2.5	2.5	2.5	1.9	1.9	1.9	1.9
Gas Type							
Natural Gas	Yes	Yes	Yes	Yes	Yes	Yes	Yes
Fuel Beds							
Logs	Yes	Yes	Yes	Yes	Yes	Yes	Yes
Split Logs	Yes	Yes	Yes	No	No	No	No
Liners							
Beige	Yes	Yes	Yes	Yes	Yes	Yes	Yes
Black	Yes	Yes	Yes	Yes	Yes	Yes	No
Beige Reeded	Yes	No	Yes	Yes	Yes	Yes	No
Brick	Yes	Yes	No	Yes	Yes	Yes	No
Black Glass (back)	Yes	Yes	Yes	Yes	Yes	Yes	No
Mounting option							
Slips Kit	Yes	No	No	Yes	No	N/A	N/A
Edge kit	Yes	Yes	No	Yes	Yes	N/A	N/A
Trims Standard							
Black	Yes	Yes	No	Yes	Yes	N/A	N/A
Wide Black	Yes	No	No	Yes	No	N/A	N/A
Trims Profile							
Black	Yes	No	No	Yes	No	N/A	N/A
Satin	Yes	No	No	No	No	N/A	N/A
Bronze	Yes	No	No	Yes	No	N/A	N/A
Tims 3 sided							
Black	No	No	No	No	Yes	N/A	N/A
Brass	No	No	No	No	Yes	N/A	N/A
Brushed Steel	No	No	No	No	Yes	N/A	N/A
Polished Chrome	No	No	No	No	Yes	N/A	N/A

* Some new build properties may have larger precast systems that may be suitable.

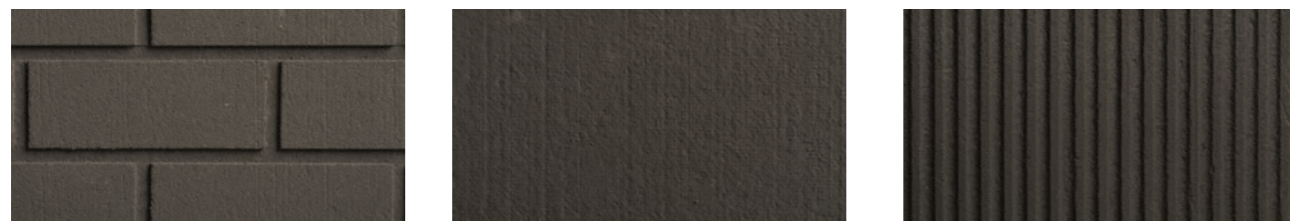
Call for Technical advice.



Interior Panel & Frame Guide

Our range of interior panel and frame options allows you to select a colour and finish that will suit your home.

Fire Back Panels



Black brick effect

Plain charcoal

Ribbed charcoal

Frames



Black & brass

Black & chrome

Brass

Brushed stainless steel

Chrome

Plain black

Frets Guide

Choose from our range of trims to find the finish that is right for you.

Frets



Aviva black

Aviva brass

Aviva chrome



Duet brass

Duet chrome

Media black brass

Media black chrome

Profile Trim Options



Profile Satin

Modular Fuel Beds

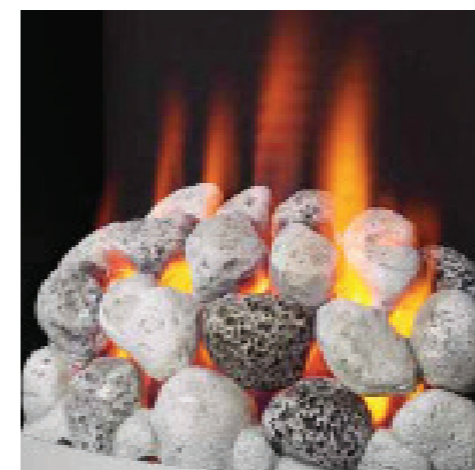


Spirit Super Slim Modular Coal Fuel Bed

Modular fuel beds are a new concept for gas fires. Using advanced ceramic technology an interlocking fuel bed system has been designed offering the following advantages:

- Easy to set up and install
- No loose coals for children or pets to pick up or disturb
- Speed of installation
- No movement of the fuel bed during the ignition process or on and off cycling
- No fire risk from coals falling on to carpets or surrounding areas
- Confidence that a fuel bed layout is correct when the installer walks away

For coal beds the result is a more realistic coal bed than has been achieved to date. A deep 16" Vantage fire with an modular coal bed system will have 30-40 coals instead of the typical 16 fibre coals. The controlled layout of holes allows for a predicatable layout and combustion everytime.



Spirit Superslim Pebble Modular Fuel Bed



Completed Spirit Superslim Coal Set.

Top view and right hand side coal pieces Spirit Superslim Coal Set.

Top view of a section from a Spirit Superslim Pebble Set.

The images above show the principle of the modular fuel bed. The set shown is a for a Superslim fire. The fuel bed is split into three sections. A front section, a right hand top section and a left hand top section. For larger fires more sections will be required. This concept has been applied to the Spirit Superslim and 22" Vantage as standard and as an option on the Vantage 16".



22" Vantage with Modular Fuel Bed



Underside of Modular Vantage Coal Bed Section. Note ports for the gas to flo through.

Completed Modular Spirit Superslim Pebble Set.

Product	16" Vantage	18" Vantage	22" Vantage	16" Low Lintel Vantage	Virage	Evora CF	Evora BF	Spirit	Spirit Superslim
Flue Types									
Class I	Yes	Yes	Yes	Yes	Yes	Yes	NA	Yes	Yes
Class II	Yes	No	No	Yes	Yes	Yes	NA	Yes	Yes
Precast Flue	No	No	No	No	No	Yes	NA	Yes	Yes
Balanced Flue	No	No	No	No	No	No	Yes	No	No
Controls									
Manual Control	Yes	Yes	Yes	Yes	Yes	Yes	Yes	Yes	Yes
Slide Control	Yes	No	No	Yes	Yes	Yes	No	Yes	Yes
Remote Control	Yes	No	No	Yes	Yes	No	Yes	Yes	Yes
Heat Output KW									
High	-	-	-	-	4.1	3.3	3.6	-	-
Low	-	-	-	-	2.5	1.8	1.1	-	-
Heat Input KW gross									
High	6.9	9.6	13	6.9	6.9	4.6	4.5	6.2	5.5
Low	4.2	4.5	5.0	4.2	4.2	2.5	2.5	4	3.6
Gas Type									
Natural Gas	Yes	Yes	Yes	Yes	Yes	Yes	Yes	Yes	Yes
Propane (LPG)	Yes	No	No	Yes	No	No	No	No	No

Vantage/Spirit/Superslim figures quoted are indicative.

No Additional Ventilation is usually required with the above appliances that are rated at less than 7kw.

We recommend that a fireguard be used where children, the elderly and infirm are present Legend Fires Policy is one of constant development.

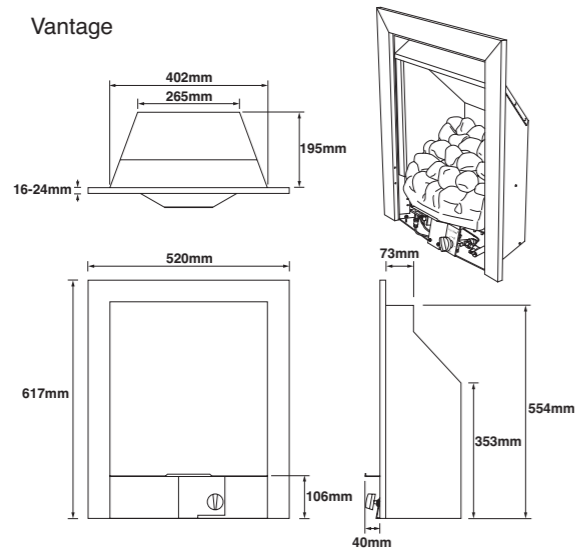
We reserve the right to change the design and specification of our products without formal notice.

All Legend Fires products are fitted with Oxygen Depletion sensing pilots and Flame Supervision Device as Standard.

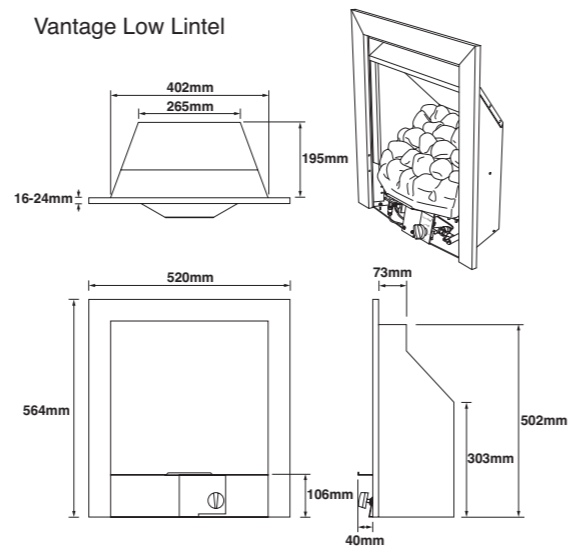
We recommend that all Legend Products are installed and annually serviced by Gas Safe Registered Installers.

Product	16" Vantage	18" Vantage	22" Vantage	16" Low Lintel Vantage	Virage	Evora	Spirit	Spirit Superslim
Fuel Beds								
Coal Moulded	Yes	Yes	No	Yes	Yes	No	Yes	No
Coal Ripped	Yes	No	No	Yes	Yes	No	No	Yes
Coal Modular	Yes	No	Yes	Yes	Yes	Yes	Yes	Yes
Pebble Modular	Yes	No	No	Yes	No	Yes	No	Yes
Deluxe Beachcoal	Yes	No	No	Yes	Yes	No	Yes	No
Deluxe Logs	Yes	No	No	Yes	No	No	No	No
Deluxe Driftwood	Yes	No	No	Yes	No	No	No	No
Trims Standard								
Brass	Yes	Yes	Yes	Yes	Yes	Yes	Yes	Yes
Black	Yes	Yes	Yes	Yes	Yes	Yes	Yes	Yes
Polished Chrome	Yes	Yes	Yes	Yes	Yes	Yes	Yes	Yes
Brushed Steel	Yes	Yes	Yes	Yes	Yes	Yes	Yes	Yes
Trims Contemporary 3/4 Sided								
Brass (not 4 sided)	No	No	No	No	No	No	No	No
Black	Yes	No	No	Yes	Yes	Yes	Yes	Yes
Polished Chrome	Yes	No	No	Yes	Yes	Yes	Yes	Yes
Brushed Steel	Yes	No	No	Yes	Yes	Yes	Yes	Yes
Trims Profile 3/4 Sided								
Brass (Not 4 Sided)	Yes	No	No	Yes	Yes	Yes	Yes	Yes
Satin	Yes	No	No	Yes	Yes	Yes	Yes	Yes
Bronze	Yes	No	No	Yes	Yes	Yes	Yes	Yes
Trims Contrast								
Black/Brass	Yes	No	No	Yes	Yes	Yes	Yes	Yes
Black/Polished Chrome	Yes	No	No	Yes	Yes	Yes	Yes	Yes

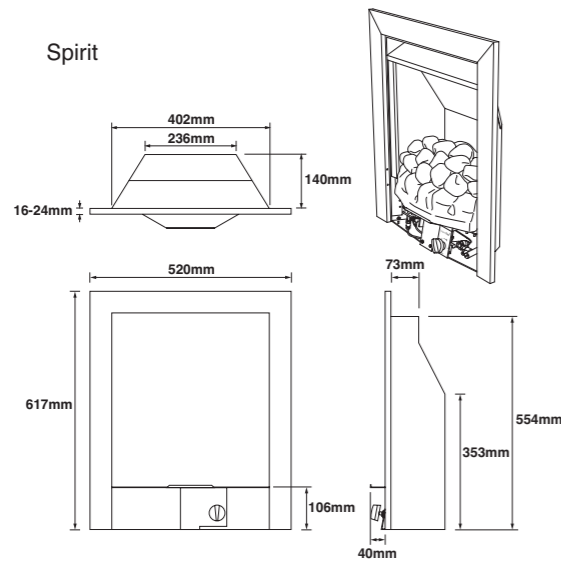
Vantage



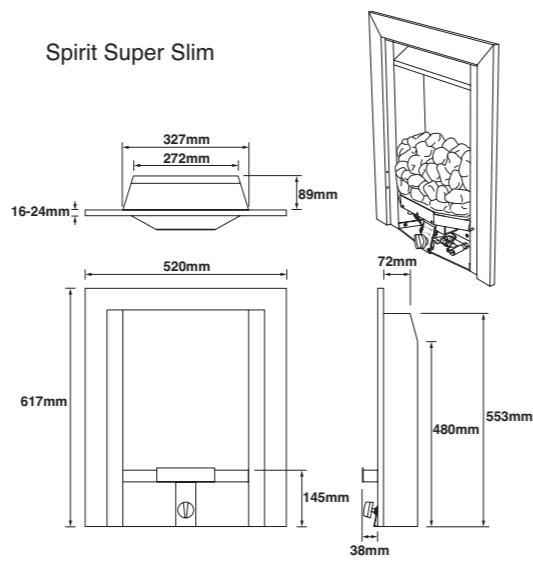
Vantage Low Lintel



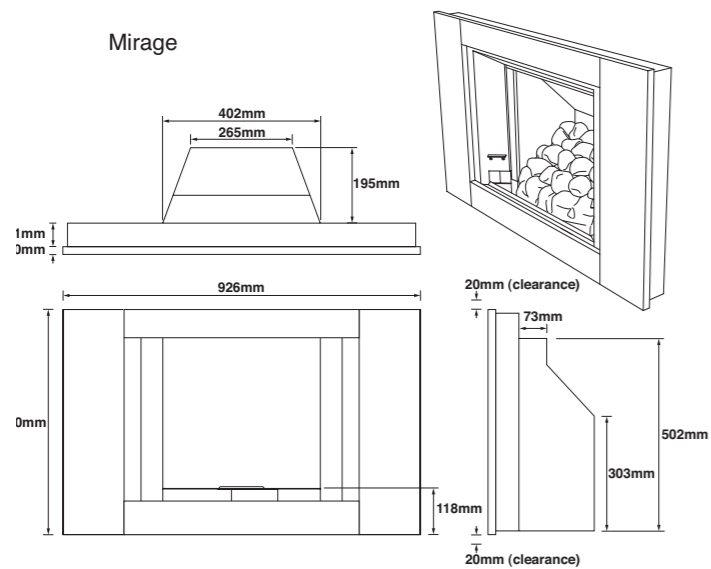
Spirit



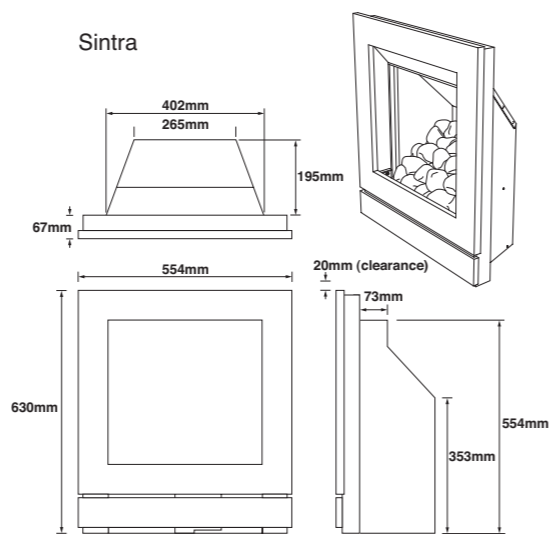
Spirit Super Slim



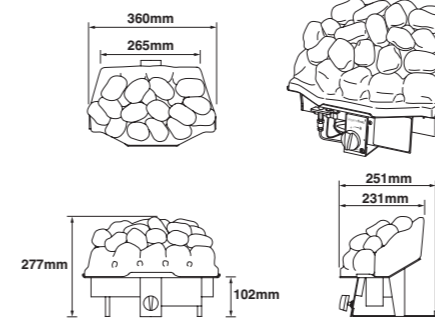
Mirage



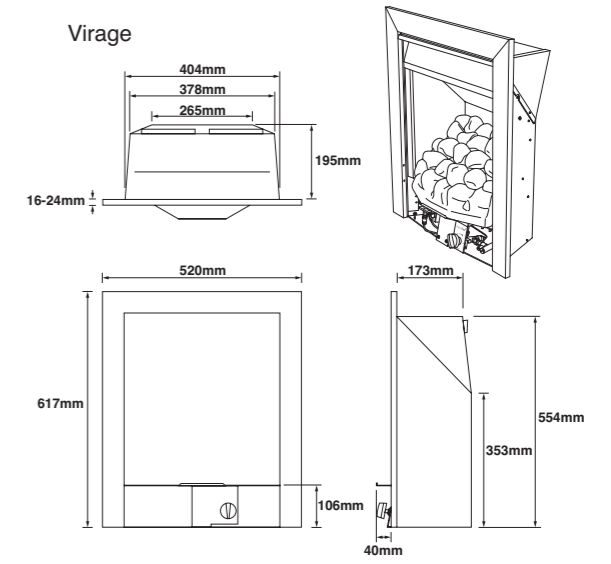
Sintra



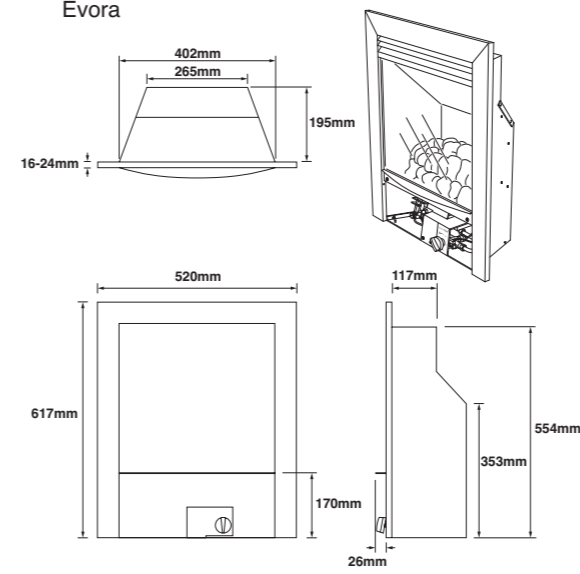
Heritage



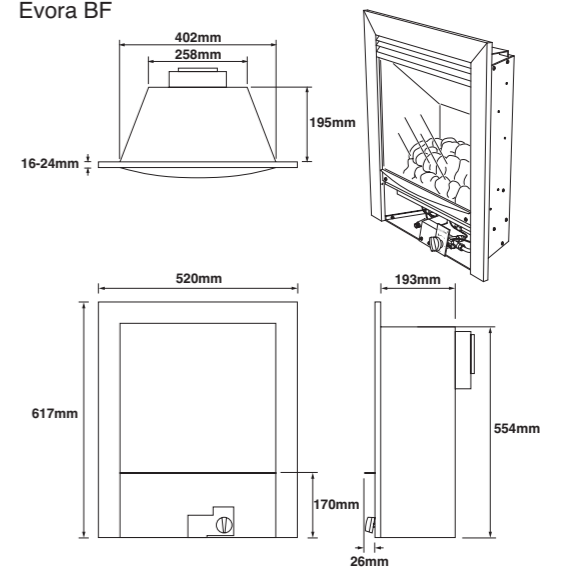
Virage



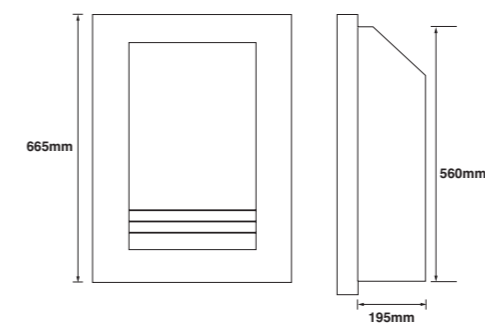
Evora



Evora BF



Vantage 4 Sided





Legend Fires Ltd

Unit 404, Glenfield Park Business Centre,
Blakewater Road, Blackburn, Lancashire BB1 5QH

T: 01254 695244 F: 01254 695255

E: info@legend-fires.com www.legend-fires.com

 /legendfires

 @Legendfires

